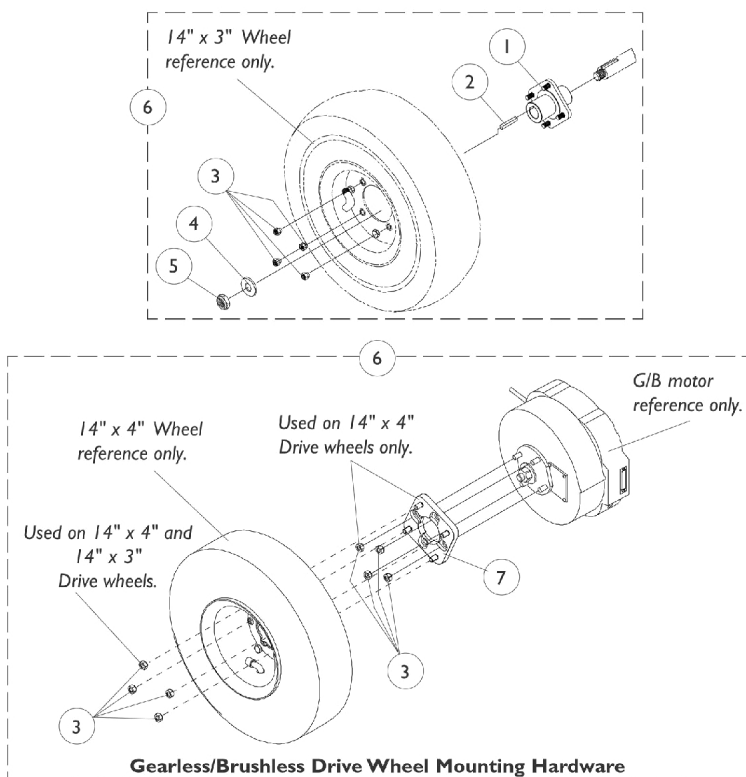


Hub Mounts For Non-Free Wheel Hub

NOTE: Gearless/ Brushless motors were made available on-chair as an option for Storm Arrow, Ranger X and Torque 11/2/98. On 7/1/99 Gearless/ Brushless motors became standard for Storm Arrow only.



Item Number	Note	Part Number	Description	Quantity Per	
				Package	Assembly
1	E	1070417-NLA	NLA - Wheel Hub (14 x 3" Wheel)	1	1
1		1063339-NLA	NLA - Hub, Wheel (14" x 4")	1	1
2		1000180	Key (3/16 x 1-1/4")	1	1
3		1024444	Locknut (5/16-24)	1	4
4	A	1036933	Washer (1/2 x 1-9/32 x 1/8")	1	1
5		7930302	Locknut (1/2-20)	25	1
6	B,E	1070435-NLA	NLA - Hardware, Wheel Hub	1	1
6	C	1079257-NLA	NLA - Hardware, Wheel Hub (3" Tire)	1	1
6	B	1064355-NLA	Kit, Drive Wheel Mounting Hardware (14" x 4")	1	1
6	D	1079258-NLA	NLA - Hardware, Drive Wheel Mounting (14" x 4")	1	1
7		1078242-NLA	NLA - Plate, Adapter with Studs	1	1

NOTE: A - Gearless/Brushless 14 x 4" wheels use a quantity of 8 beveled hex nuts.
 B - Includes items 1-5
 C - Includes item 3
 D - Includes items 3 and 7
 E - Wheel hub is no longer available. See page titled "Wheels, Free Wheel Hub Kits (Available as of 4/23/99)" and order part number 1079640.