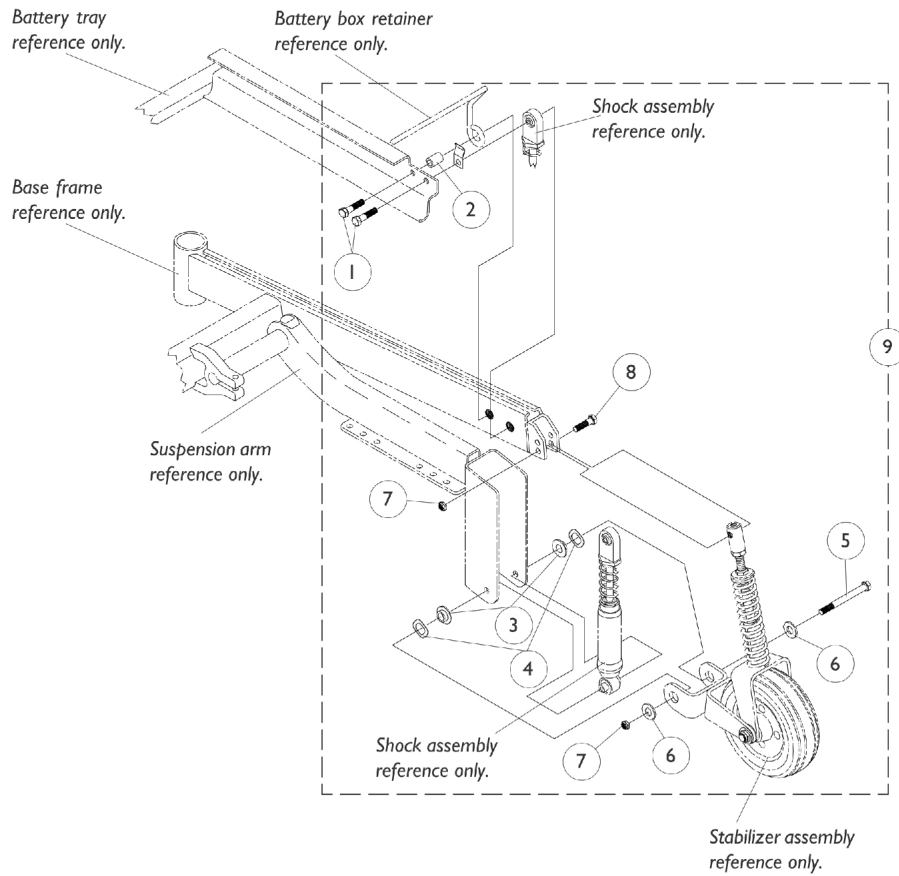


# Stabilizer and Shock Mounting Hardware (MWD)



Item Number	Note	Part Number	Description	Quantity Per	
				Package	Assembly
1		1043627-NLA	NLA - Screw, Hex Head w/ Patch (5/16-18 x 1-3/4")	1	4
2		1039649-NLA	NLA - Spacer (3/8 x 5/8 x 25/32")	1	2
3		1070324-NLA	NLA - Spacer, Inner Link (5/16 x 1 x 9/32")	1	4
4		1070379-NLA	NLA - Washer, Spring (5/8 x 1 x 1/16")	1	4
5		1070397-NLA	NLA - Screw, Hex Head (5/16-18 x 3-1/4")	1	2
6		1025704	Washer, Flat (5/16 x 5/8 x 1/16")	1	4
7		1026158	Locknut (5/16-18)	1	4
8		1070398-NLA	NLA - Screw, Hex Head (5/16-18 x 1-1/2")	1	2
9	A	1070369-NLA	NLA - Hardware, Stabilizer and Shock Mounting	2	1

NOTE: A - Includes items 1-8.