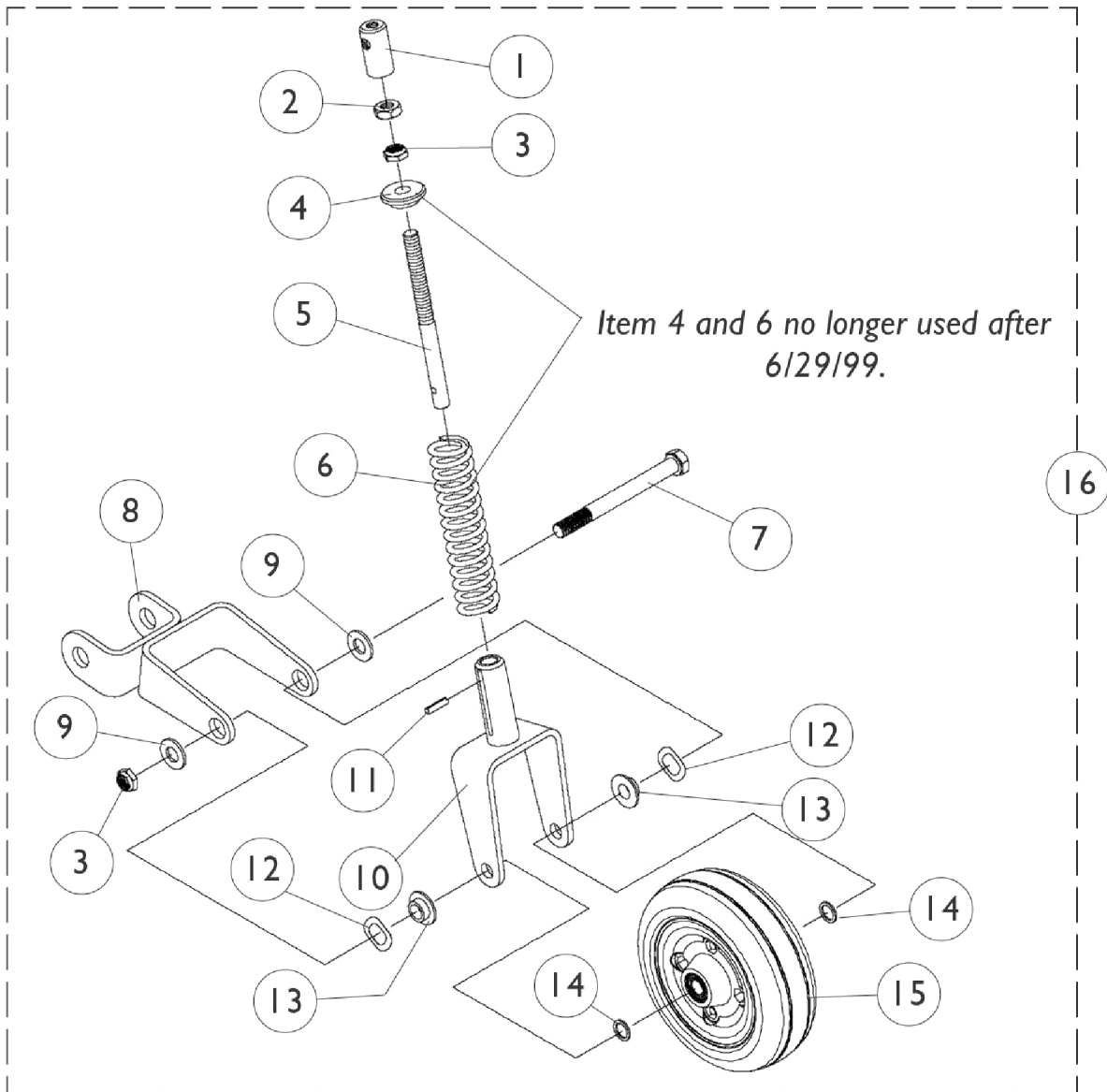


# Stabilizer Assembly (MWD)



## Stabilizer Assembly (MWD)

Item Number	Note	Part Number	Description	Quantity Per	
				Package	Assembly
1		1071530-NLA	NLA - End, Upper Pivot	1	1
2		1071491-NLA	NLA - Nut, Jam (7/16-20")	1	1
3		7930331-NLA	NLA - Locknut (7/16-20")	25	1
4		1071529-NLA	NLA - Plug Button	1	1
5		1070322-NLA	NLA - Rod, Stabilizer	1	1
6		1070381-NLA	NLA - Spring, Compression, Black (1-15/64 x 5-1/4 x 5/32")	1	1
7		1070400	Screw, Hex Head (7/16-20 x 4")	1	1
8		1070375-NLA	NLA - Link, Stabilizer, Black	1	1
9		40157X011-NLA	NLA - Washer, Steel (7/16 x 15/16 x 1/16")	1	2
10	C	1070376-NLA	NLA - Fork, Stabilizer	1	1
10	A	1090141	Fork, Stabilizer	1	1
11	C	1071496-NLA	NLA - Pin, Roll (3/16 x 3/4")	1	1
11	A	40187X014-NLA	NLA - Pin, Roll (3/16 x 1")	1	1
12		1070379-NLA	NLA - Washer, Spring (5/8 x 1 x 1/16")	1	2
13		1070323-NLA	NLA - Spacer, Outer Link (7/16 x 1 x 1/32")	1	2
14		7930329	Washer, Steel (15/32 x 5/8 x 3/64")	25	2
15	E	1072014-NLA	NLA - Wheel Assembly, Semi-Pneumatic, Urethane (6" x 2")	1	1
15	F	1115179	Wheel Assembly, Semi-Pneumatic, Urethane, Deep Profile, Grey Tire/Black Hub (6" x 2")	1	1
15	F	1122066	Wheel Assembly, Semi-Pneumatic, Urethane, Deep Profile, Grey Tire/Black Hub (6" x 2") (Pair)	2	1
16	C,D	1070374-NLA	NLA - Stabilizer Assembly	1	1
16	A,B	1090142-NLA	NLA - Stabilizer Assembly	1	1

NOTE: A - After 6/29/99  
B - Includes items 1-3, 5 and 7-15  
C - Before 6/30/99  
D - Includes items 1-15  
E - Service part No Longer Available 8/15/03. Due to product improvement, order (pair) part number 1122066 dated after 8/14/03 so each side matches. The deep profile caster has 2 tread grooves w/ round corners instead of 4 tread grooves w/ square corners.  
F - Service part after 8/14/03