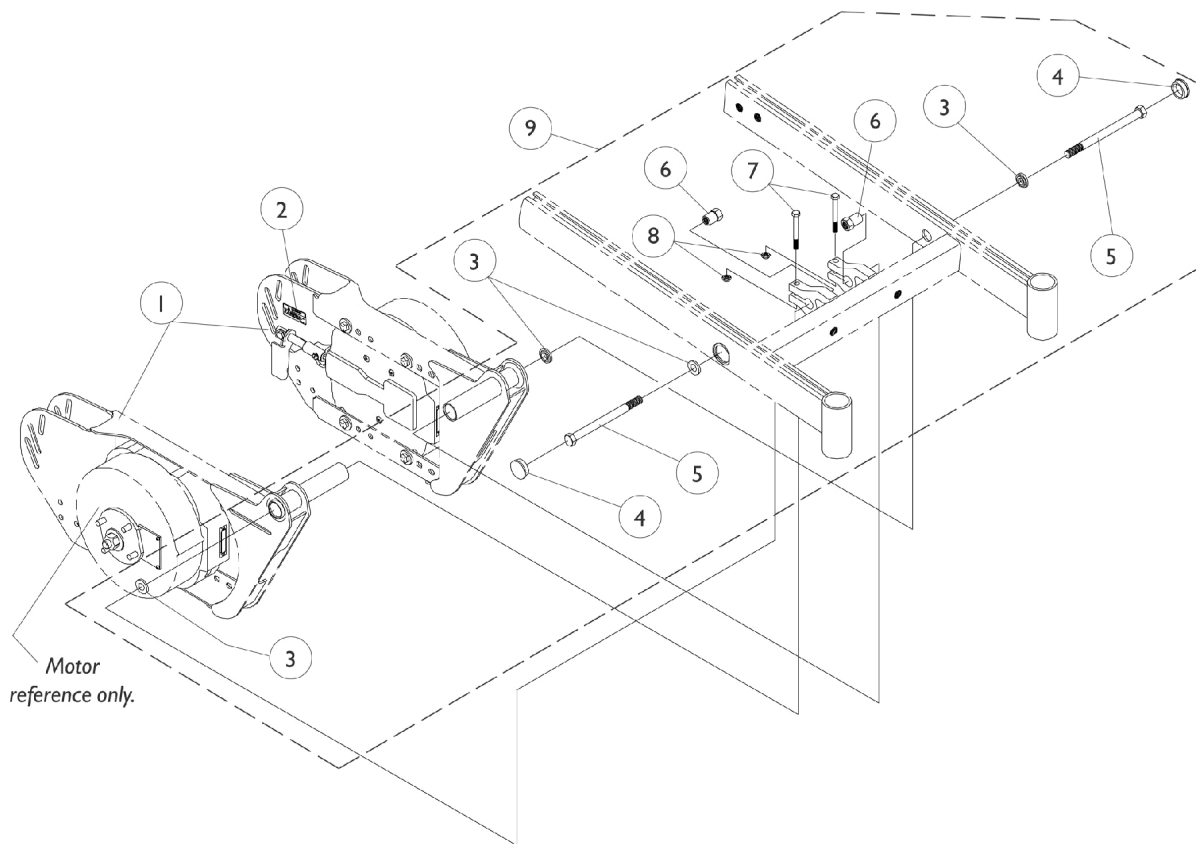


Suspension Arm and Mounting Hardware Gearless/Brushless

NOTE: Gearless/ Brushless motors were made available on-chair as an option for Storm Arrow, Ranger X and Torque 11/2/98. On 7/1/99 Gearless/ Brushless motors became standard for Storm Arrow only.



Item Number	Note	Part Number	Description	Quantity Per	
				Package	Assembly
1		1080650-NLA	NLA - Kit, Suspension Arm with Warning Decal (G/B), Black - Right	1	1
1		1080651-NLA	NLA - Kit, Suspension Arm with Warning Decal (G/B), Black - Left	1	1
2		1053056-NLA	NLA - Decal, Warning	1	1
9	A	1078243	NLA - Kit, Suspension Arm Mounting Hardware	2	1
3			NLA - Washer (1/2" I.D. x 7/8" O.D.)	1	4
4			Plug Button, Headtube, Black	1	2
5			NLA - Screw, Hex Head (1/2-20 x 7")	1	2
6			NLA - Nut, Shoulder (1/2-20)	1	2
7			NLA - Screw, Hex Head (5/16-18 x 2")	1	2
8			Locknut (5/16-18)	1	2

NOTE: A - Include items 3-8