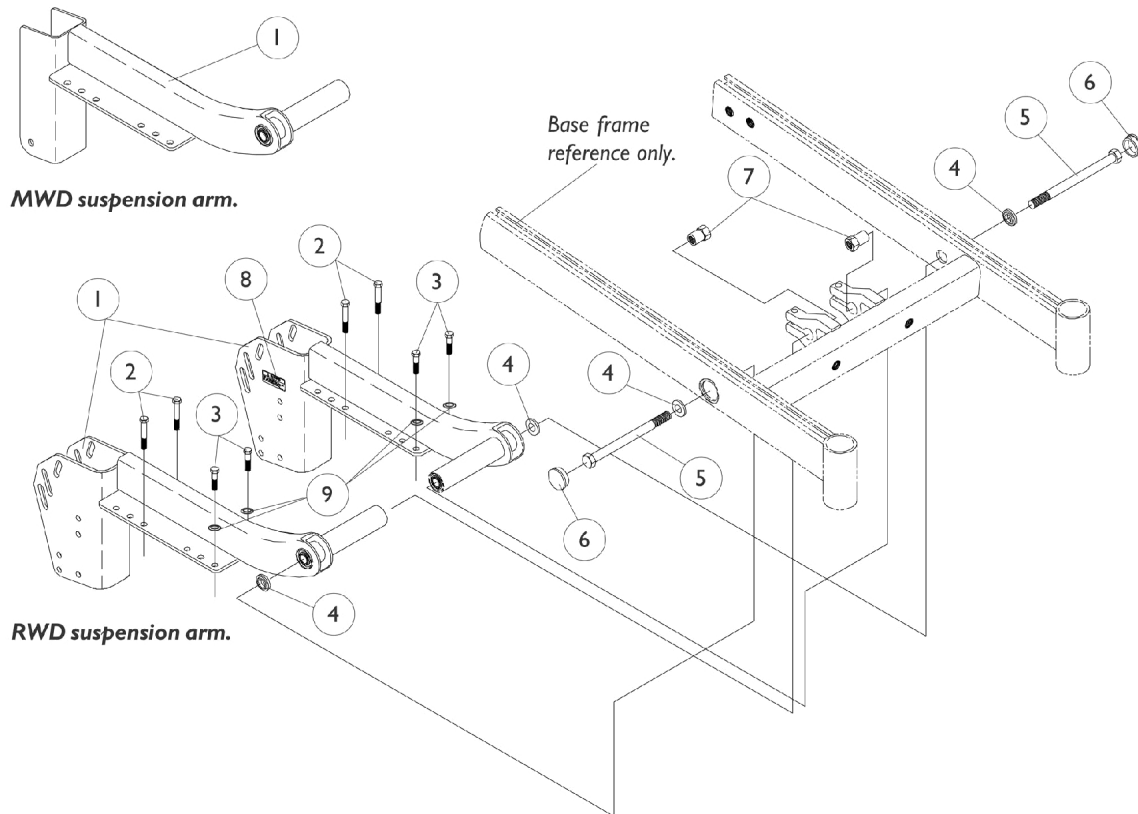


# Suspension Arm and Mounting Hardware



Item Number	Note	Part Number	Description	Quantity Per	
				Package	Assembly
1		1082602-NLA	NLA - Kit, Suspension Arm w/ Warning Decal, Black - Right	1	1
1		1082603-NLA	NLA - Kit, Suspension Arm w/ Warning Decal, Black - Left	1	1
1		1070365-NLA	NLA - Kit, Suspension Arm, MWD with Warning Decal, Black - Right	1	1
1		1070366-NLA	NLA - Kit, Suspension Arm, MWD with Warning Decal, Black - Left	1	1
2		1043628-NLA	NLA - Screw, Hex Head w/ Patch (5/16-18 x 2-1/2")	1	4
3		1104257	Screw, Hex Head w/ Patch (5/16-18 x 1-1/4")	1	4
4		1039684-NLA	NLA - Washer (1/2" I.D. x 7/8" O.D.)	1	4
5		1039682-NLA	NLA - Screw, Hex Head (1/2-20 x 7")	1	2
6		1038353	Plug Button, Headtube, Black	1	2
7		1039683-NLA	NLA - Nut, Shoulder (1/2-20)	1	2
8		1053056-NLA	NLA - Decal, Warning	1	2
9	A	1023263-NLA	NLA - Washer, Internal Tooth (M8)	1	4
		1104894-NLA	NLA - Hardware, Motor Mounting	1	2

NOTE: A - Part #1023263 is no longer available as a service part individually. Order part #1104894 Motor Mounting Hardware (not shown) as a replacement.