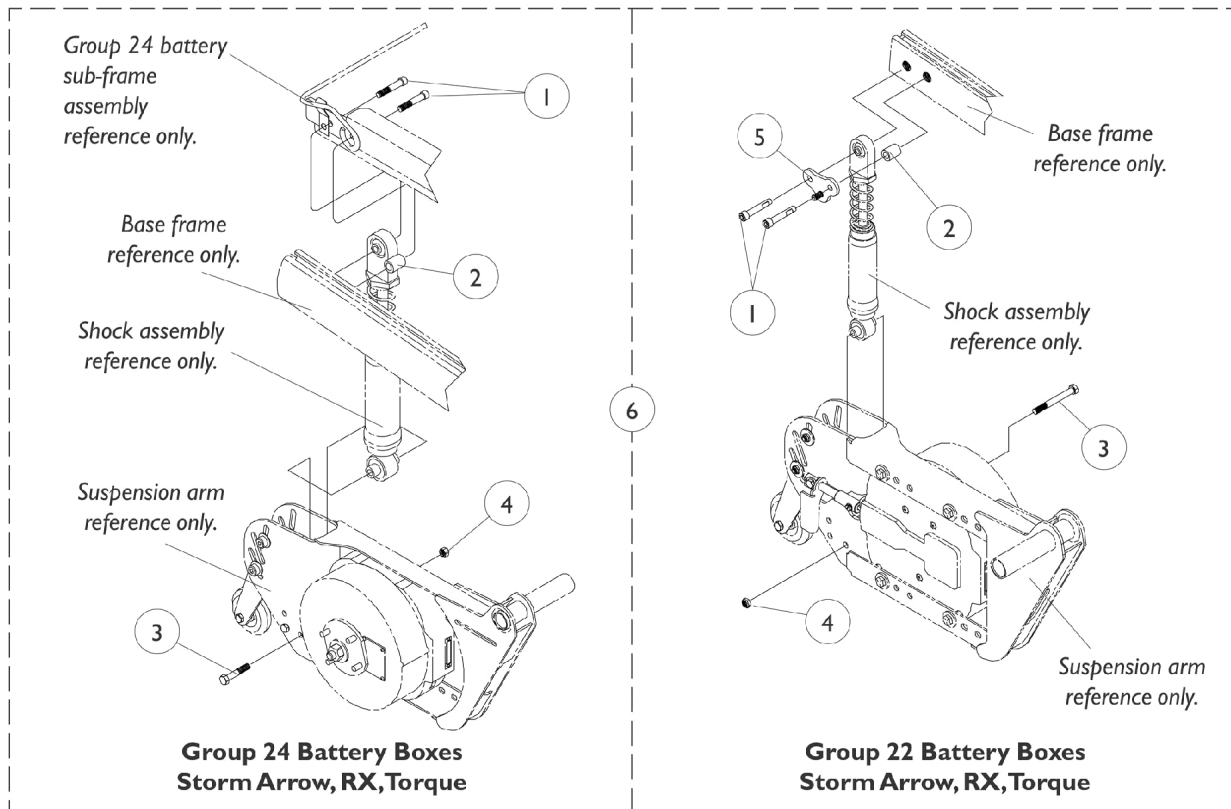


Shock Suspension Mounting Hardware (RWD) Gearless/Brushless

NOTE: Gearless/ Brushless motors were made available on-chair as an option for Storm Arrow, Ranger X and Torque 11/2/98. On 7/1/99 Gearless/ Brushless motors became standard for Storm Arrow only.



Shock Suspension Mounting Hardware (RWD)

Gearless/Brushless

NOTE: Gearless/ Brushless motors were made available on-chair as an option for Storm Arrow, Ranger X and Torque 11/2/98. On 7/1/99 Gearless/ Brushless motors became standard for Storm Arrow only.

Item Number	Note	Part Number	Description	Quantity Per	
				Package	Assembly
1	C	7930337-NLA	NLA - Package, Screw, Hex Head w/ Patch (5/16-18 x 1-1/4")	25	2
1	D	1104845	Screw, Socket Head w/ Patch (5/16-18 x 1-3/4")	1	2
2		1039649-NLA	NLA - Spacer (3/8 x 5/8 x 25/32")	1	1
3		1042486	Screw, Hex Head (5/16-18 x 2-3/4")	1	1
4		1028769	Locknut (5/16-18)	1	1
5		1049354-NLA	NLA - Bracket, Hanger, Black	1	1
6	A,C	1079254-NLA	NLA - Hardware, Shock Suspension Mounting, Group 24 Battery Box	1	1
6	A,D	1104890-NLA	NLA - Hardware, Shock Suspension Mounting, Group 24 Battery Box	1	1
6	B,C	1079255-NLA	NLA - Hardware, Shock Suspension Mounting, Group 22 Battery Box	1	1
6	B,D	1104891-NLA	NLA - Hardware, Shock Suspension Mounting, Group 22 Battery Box	1	1

NOTE: A - Includes items 1-4
 B - Includes items 1-5
 C - Before 3/1/01
 D - After 2/28/01