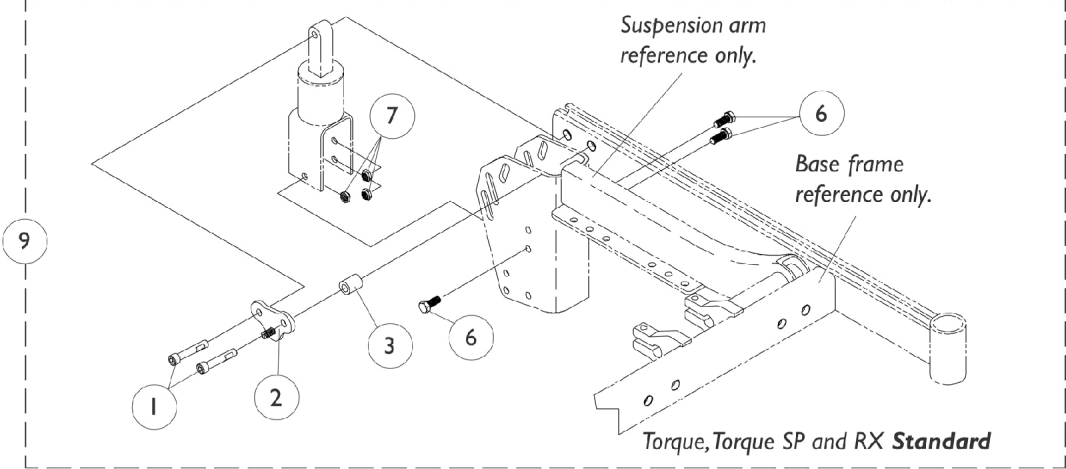
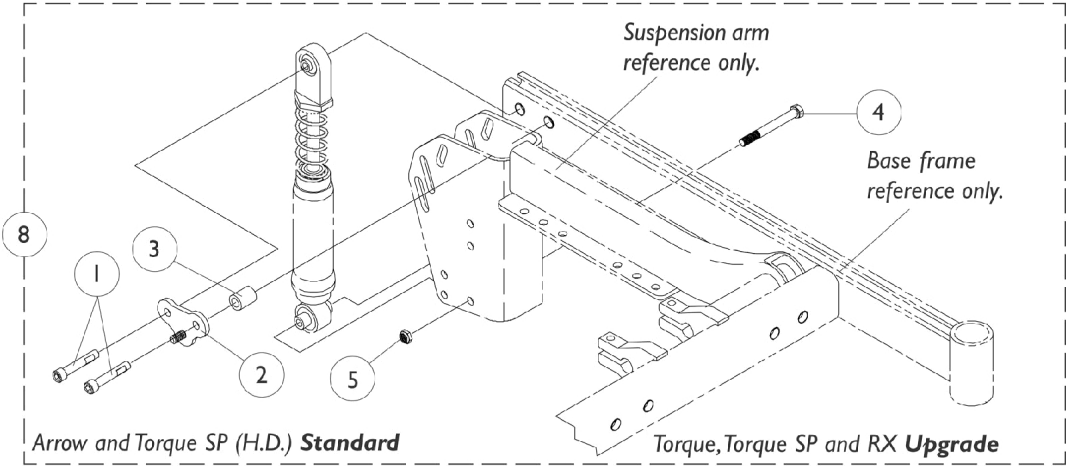


Shock Suspension Mounting Hardware (RWD)



Shock Suspension Mounting Hardware (RWD)

Item Number	Note	Part Number	Description	Quantity Per	
				Package	Assembly
1	D	1043627-NLA	NLA - Screw, Hex Head w/ Patch (5/16-18 x 1-3/4")	1	2
1	E	1104845	Screw, Socket Head w/ Patch (5/16-18 x 1-3/4")	1	2
2	A	1049354-NLA	NLA - Bracket, Hanger, Black	1	1
3		1039649-NLA	NLA - Spacer (3/8 x 5/8 x 25/32")	1	1
4		1042486	Screw, Hex Head (5/16-18 x 2-3/4")	1	1
5		1028769	Locknut (5/16-18)	1	1
6		1039860	Screw, Hex Head w/ Patch (5/16-18 x 3/4")	1	3
7		1028769	Locknut (5/16-18)	1	3
8	B,D	1050170-NLA	NLA - Hardware, Shock Mounting (Per Side)	1	1
8	B,E	1104892-NLA	NLA - Hardware, Shock Mounting (Per Side)	1	1
9	C,D	1042445-NLA	NLA - Hardware, Rubber Element Mounting (Per Side)	1	1
9	C,E	1104893-NLA	NLA - Hardware, Rubber Element Mounting (Per Side)	1	1

NOTE: A - Not used when mounting shocks with group 24 batteries.
 B - Includes items 1-5.
 C - Includes items 1-3, 6, and 7.
 D - Before 3/1/01.
 E - After 2/28/01.