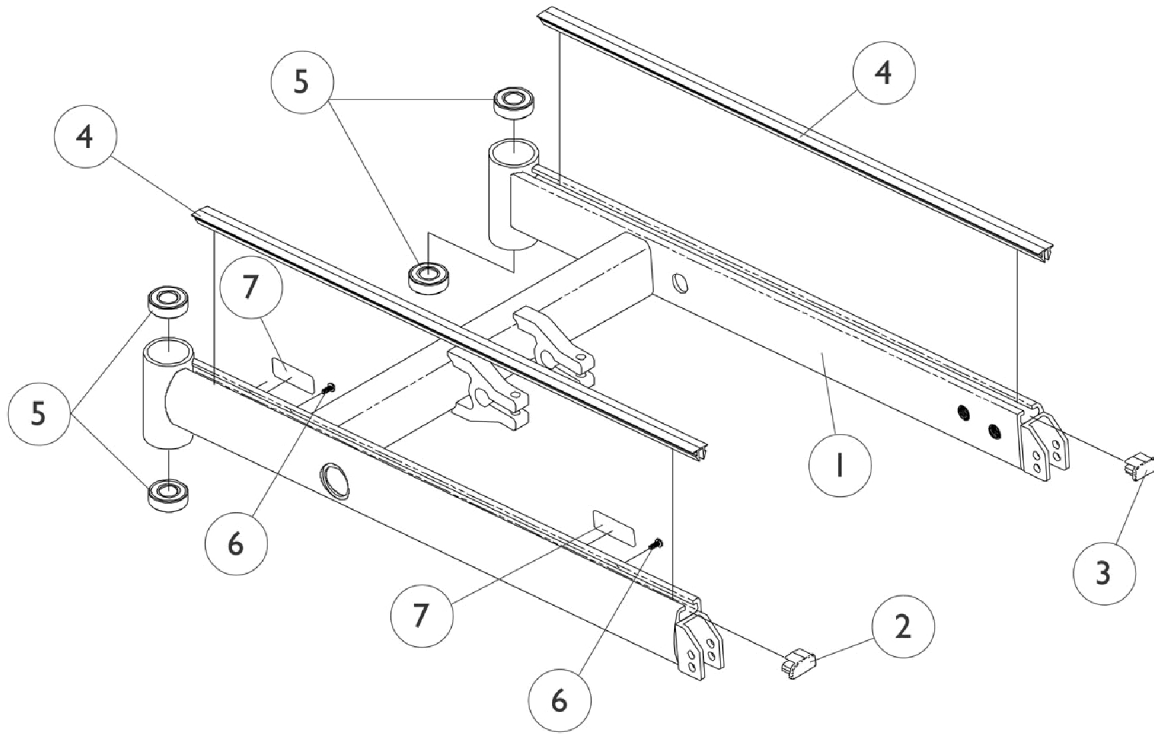


Base Frame (MWD)

NOTE: "Base Frames are not available as a service part."

Wheelchair must be returned to Invacare when Base Frame needs replacement. Contact Invacare Customer Service for more information.



Item Number	Note	Part Number	Description	Quantity Per	
				Package	Assembly
2		1070384-NLA	NLA - Cap, End, Tube, Black - Right	1	1
3		1070385-NLA	NLA - Cap, End, Tube, Black - Left	1	1
4		1076586-NLA	NLA - Kit, Extrusion Cover (Pair) 2 feet each piece	2	1
5		40117X006	Bearing (5/8")	1	4
6		1025729	Screw, Phillips Pan Head Tap (#8-32 x 3/8")	1	2
7		1070497-NLA	NLA - Label, Caution	1	2