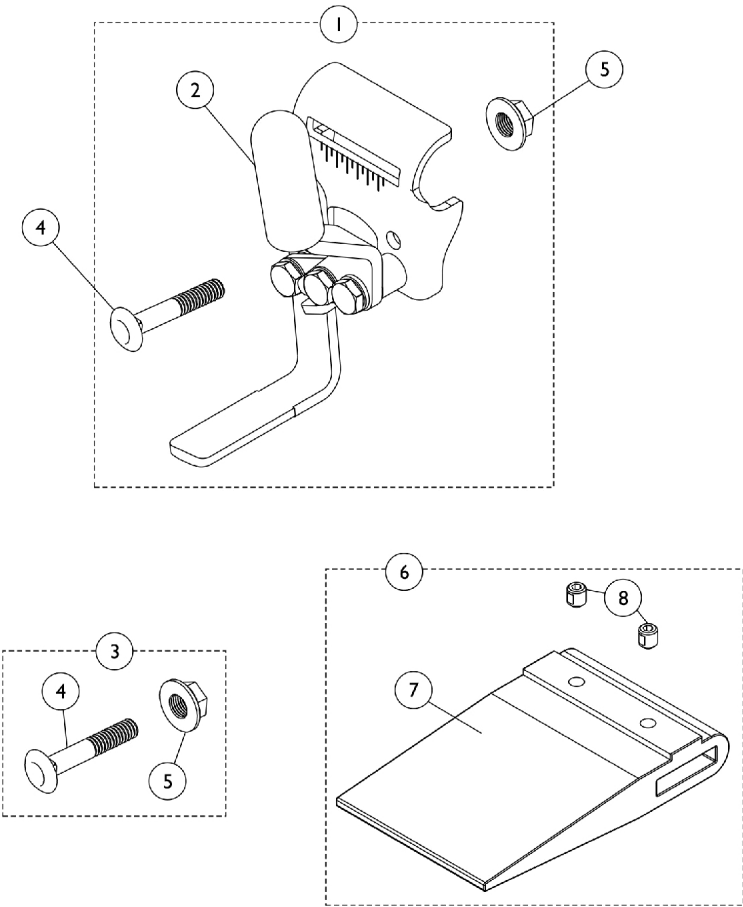


# Link-Pivot Style Wheel Locks

Space Saver Arm (Before 8/14/03)



## Link-Pivot Style Wheel Locks Space Saver Arm (Before 8/14/03)

Item Number	Note	Part Number	Description	Quantity Per	
				Package	Assembly
1	E	1045861-NLA	NLA - Wheel Lock Assembly, Adult, Push to Lock, Black - Right	1	1
1	E	1045862-NLA	NLA - Wheel Lock Assembly, Adult, Push to Lock, Black - Left	1	1
1		1023493	Wheel Lock Assembly, Push to Lock - Right	1	1
1		1023494	Wheel Lock Assembly, Push / Lock - Left	1	1
1		1031792	Wheel Lock Assembly, Push to Lock, Adult - Right	1	1
1		1031793	Wheel Lock Assembly, Push to Lock, Adult - Left	1	1
1		1045857	Wheel Lock Assembly, Pull to Lock, Black - Right	1	1
1		1045858	Wheel Lock Assembly, Pull to Lock, Black - Left	1	1
1		1031794	Wheel Lock Assembly, Pull to Lock, Hemi - Right	1	1
1		1031795	Wheel Lock Assembly, Pull to Lock, Hemi - Left	1	1
2		47376X024	Tip, Rubber Wheel Lock Handle, Black	1	1
3	A	1017677	Kit, Hardware, Wheel Lock (Pair)	1	1
4			Bolt, Carriage (1/4-20 x 1-1/4")	1	2
5			Nut, Hex Flang (1/4-20)	1	2
6	B,D	1037421	Kit, Wheel Lock Shoe Spacer, 20" Rear Wheels (Pair)	1	1
			Spacer, Wheel Lock Shoe (2-63/64")	1	2
			Screw, Set Socket Cup Point (#8-32 x 3/16")	1	4
6	C,D	1037422	Kit, Wheel Lock Shoe Spacer, 22" Rear Wheels (Pair)	1	1
			Spacer, Wheel Lock Shoe (1-45/64")	1	2
			Screw, Set Socket Cup Point (#8-32 x 3/16")	1	4

NOTE: A - Includes items 4 and 5.  
 B - Used on 20" rear wheel for recliner chairs.  
 C - Includes items 7 and 8.  
 D - Used on 20" rear wheel with 1" forward rear wheel post or 22" rear wheel with 14" deep chair.  
 E - No Longer Available. Use part #'s 1023493 and 1023494 as replacements.