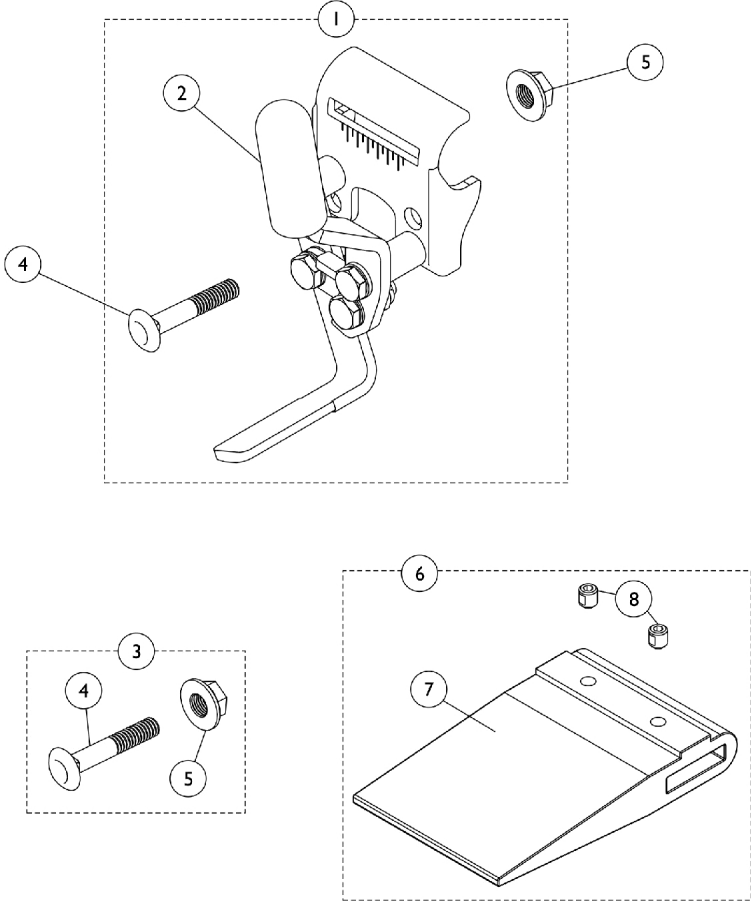


# Link-Pivot Style Wheel Locks

Conventional Arm (Before 8/14/03)



## Link-Pivot Style Wheel Locks Conventional Arm (Before 8/14/03)

Item Number	Note	Part Number	Description	Quantity Per	
				Package	Assembly
1		1020001-NLA	NLA - Wheel Lock Assembly, Chrome - Right	1	1
1		1020002-NLA	NLA - Wheel Lock Assembly, Chrome - Left	1	1
1		1031782	Wheel Lock Assembly, Push to Lock, Adult - Right	1	1
1		1031783	Wheel Lock Assembly, Push to Lock, Adult - Left	1	1
1		1016846	Wheel Lock Assembly w/o Attaching Hardware, Chrome - Right	1	1
1		1016847	Wheel Lock Assembly w/o Attaching Hardware, Chrome - Left	1	1
1		1031796	Wheel Lock Assembly, Pull to Lock, Hemi - Right	1	1
1		1031797	Wheel Lock Assembly, Pull to Lock, Hemi - Left	1	1
2		47376X024	Tip, Rubber Wheel Lock Handle, Black	1	1
3	A	1017677	Kit, Hardware, Wheel Lock (Pair)	1	1
4			Bolt, Carriage (1/4-20 x 1-1/4")	1	2
5			Nut, Hex Flang (1/4-20)	1	2
6	B,D	1037421	Kit, Wheel Lock Shoe Spacer, 20" Rear Wheels (Pair)	1	1
			Spacer, Wheel Lock Shoe (2-63/64")	1	2
			Screw, Set Socket Cup Point (#8-32 x 3/16")	1	4
6	C,D	1037422	Kit, Wheel Lock Shoe Spacer, 22" Rear Wheels (Pair)	1	1
			Spacer, Wheel Lock Shoe (1-45/64")	1	2
			Screw, Set Socket Cup Point (#8-32 x 3/16")	1	4

NOTE: A - Includes items 4 and 5.  
B - Used with 20" rear wheels on recliner chairs.  
C - Used with 20" rear wheels with 1" forward rear wheel positioner or 22" rear wheels on a 14" deep chair.  
D - Includes items 7 and 8.