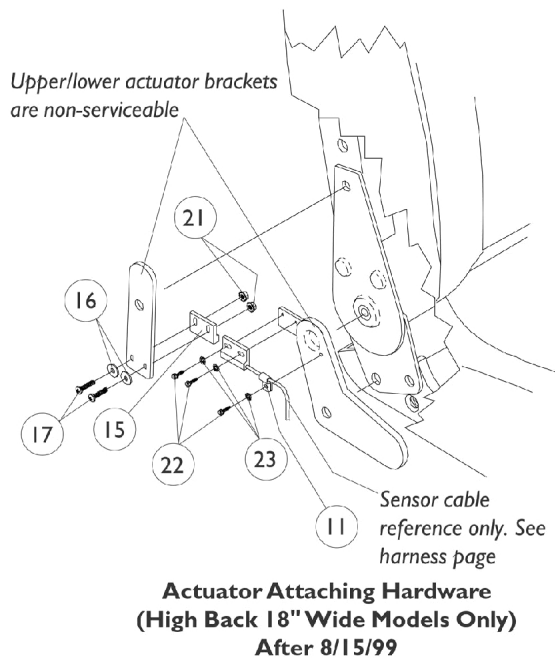
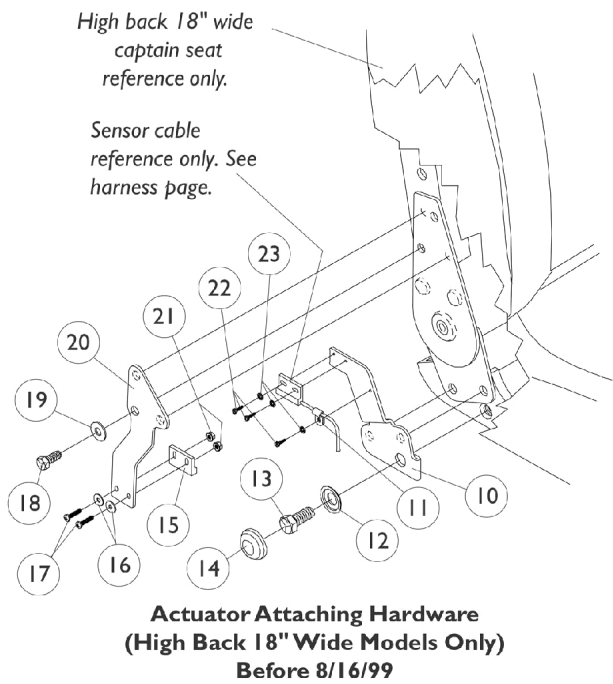
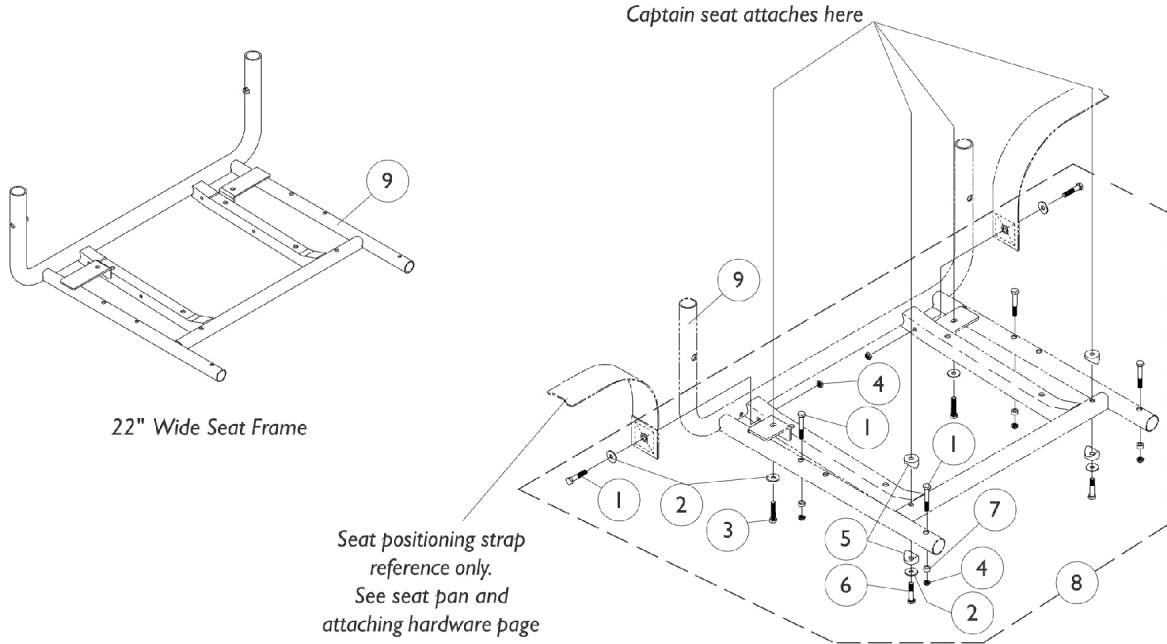


Captain Seat Frame and Actuator Hardware

Before 9/1/02

NOTE: Low Back (L.B.) Captain Seat description changed to Extended Back (E.B.) Captain Seat as of 10/02/00.



Captain Seat Frame and Actuator Hardware

Before 9/1/02

NOTE: Low Back (L.B.) Captain Seat description changed to Extended Back (E.B.) Captain Seat as of 10/02/00.

Item Number	Note	Part Number	Description	Quantity Per	
				Package	Assembly
1		1030949	Screw, Hex Head (1/4-20 x 1-1/2")	1	6
2		1026900	Washer (1/4 x 23/32 x 1/16")	1	6
3	C	1071603-NLA	NLA - Screw, Hex Head w/ Patch (M6 x 1 x 20mm)	1	4
3	A,B,E	1045267	Screw, Hex Head w/ Patch (1/4-20 x 3/4")	1	4
4		7930333	Locknut (1/4-20)	25	6
5		1026099	Spacer, Coved (1/4 x 11/16 x 1/2")	1	4
6	C	1070434-NLA	nla - Screw, Hex Head w/ Patch (M6 x 1 x 50mm)	1	2
6	B,E	1088898-NLA	NLA - Screw, Hex Head w/ Patch (1/4-20 x 1-3/4")	1	2
7		1047449-NLA	NLA - Spacer (1/4 x 3/8 x 3/16")	1	4
8	C,D	1070450-NLA	NLA - Hardware, Seat Attaching	1	1
8	A,B,D, E	1079208-NLA	NLA - Hardware, Captain Seat Mounting	1	1
9	B,C	1070455-NLA	NLA - Frame, Seat, Black (18" W)	1	1
9	E	1101913-NLA	NLA - Frame, Seat, Black (22" W)	1	1
10		1076392-NLA	NLA - Bracket, Lower Limit Switch Sensor, Black	1	1
11		1098624-NLA	NLA - Clamp, Cable	1	1
12		1016289	Washer, Caplugs (15/32" I.D. x 1-3/32" O.D.)	1	1
13		1076568-NLA	NLA - Screw, Hex Head (7/16-20 x 1")	1	1
14		1016291	Cap, Hub, Black	1	1
15		1024001	Sensor, Actuator Switch	1	1
16		16348X007	Rivet Washer (1/8 x 3/8 x 1/16")	1	2
17		1074128	Screw, Phillips Pan Head (#4-40 x 7/16")	1	2
18		7930322-NLA	NLA - Package, Screw, Hex Head (M8 x 1.25 x 20mm)	25	1
19		7930358-NLA	NLA - Washer, Steel (5/16 x 3/4 x 1/16")	25	1
20		1076394	Bracket, Upper Limit Sensor Switch	1	1
21		P0870X000	Nut, Hex Keps (#4-40)	1	2
22		1025116-NLA	NLA - Screw, Slotted Hex Washer Head Tap (#4-3/8")	1	3
23		1008525-NLA	NLA - Washer, Internal Tooth Lock (#4-40)	1	3

NOTE: A - All vinyl extended back seats will use hardware noted for extended back seats after 3/24/98.
 B - Extended backs after 3/24/98, Forward Folding Seat.
 C - Extended backs before 3/25/98, 18" Wide, High Backs.
 D - Includes items 1-7.
 E - 22" Wide, High Backs.