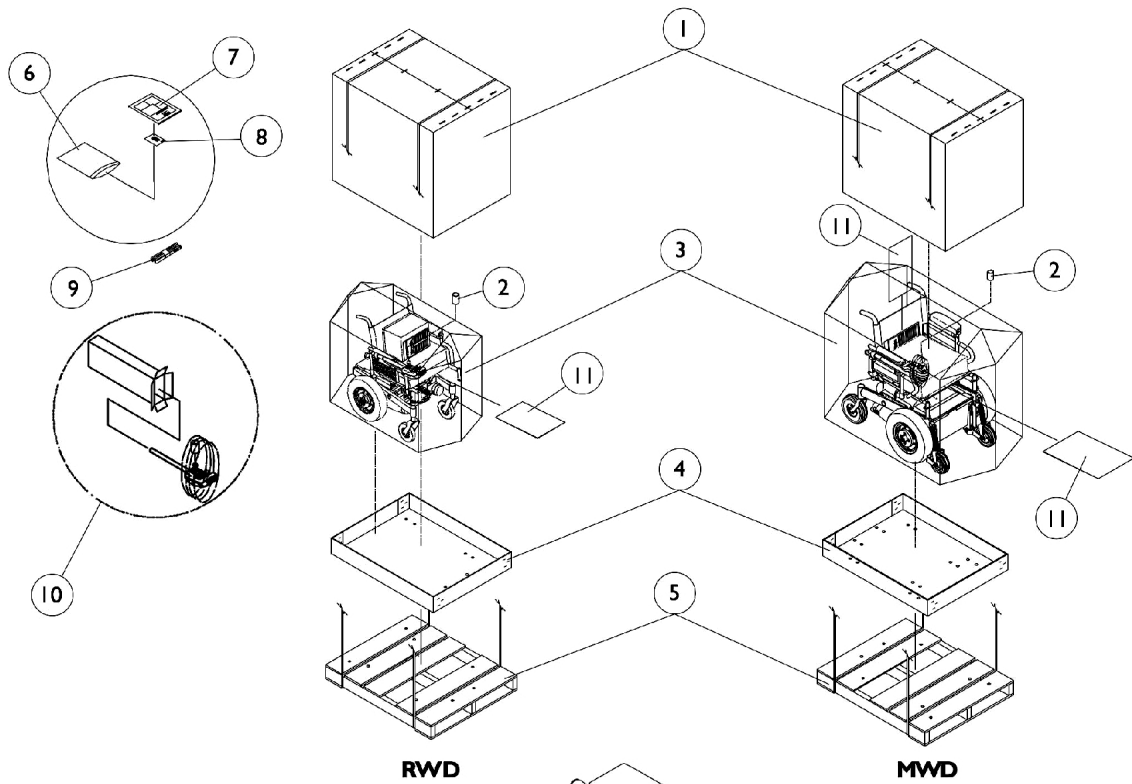
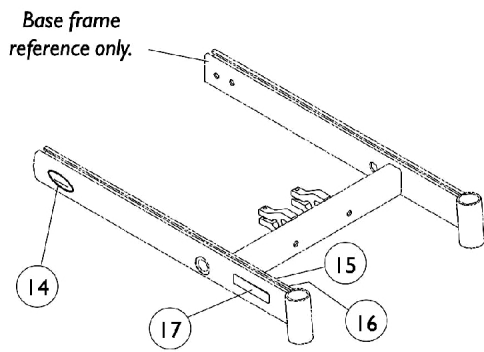
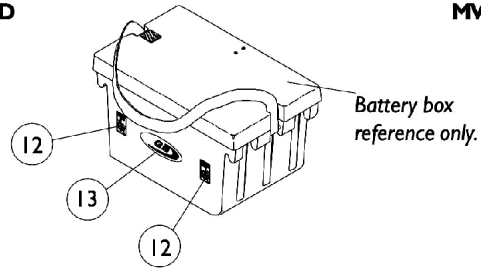


Packaging, Literature and Decals

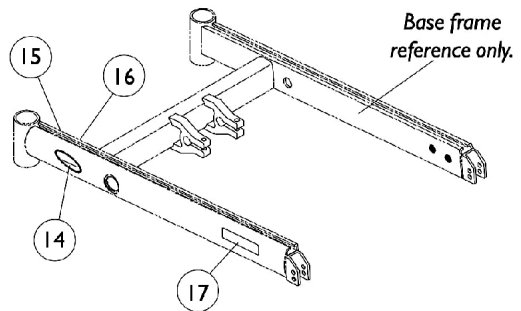


RWD

MWD



RWD



MWD

Packaging, Literature and Decals

Item Number	Note	Part Number	Description	Quantity Per	
				Package	Assembly
1	F	1030364	Carton, Cover	1	1
1	G	1031682	Carton, Cover	1	1
1	H	1036028	Carton, Cover	1	1
1	I	1030365	Carton, Cover	1	1
2		1043198-NLA	NLA - Tube, Paper	1	1
3		1015609-NLA	NLA - Bag, Poly (28" W x 44" D x 80" H)	1	1
4	J	1030362	Carton, Tray	1	1
4	K	1036027	Carton, Tray	1	1
6		1021149-NLA	NLA - Bag, Poly Zip-Lip (13" L x 9" W)	1	1
7		1081227-NLA	NLA - Owner's Manual - Storm Series	1	1
8		00077X031-NLA	NLA - Warranty Card	1	1
9		50000X121	Strap, Battery Lift	1	1
10	A	1012001-NLA	NLA - Carton, Joystick	1	1
10		40131X011-NLA	NLA - Carton, Front Riggings	1	1
11		40131X161	Insert, Plain Pad	1	1
12		1078219-NLA	NLA - Decal, Caution, Free Wheel - Right (G/B)	1	1
12		1078220-NLA	NLA - Decal, Caution, Free Wheel - Left (G/B)	1	1
13		1079259-NLA	NLA - Decal, Gearless/Brushless	1	1
14		1095489	Decal, Invacare 3-D Logo (2-1/2" L)	1	2
15		1035900	Decal, Transportation	1	1
16		60106X013-NLA	NLA - Plate, Name, Patent Numbers	1	1
17	D	1095226-NLA	NLA - Decal, Model, Black - Torque	1	2
17		1095227-NLA	NLA - Decal, Model, White - Torque	1	1
17	D	1095228-NLA	NLA - Decal, Model, Black - Arrow	1	1
17		1095229-NLA	NLA - Decal, Model, White - Arrow	1	1
17	D	1095230-NLA	NLA - Decal, Model, Black - Ranger X	1	1
17		1095231-NLA	NLA - Decal, Model, White - Ranger X	1	1
	B,E	1043623	Decal, Label Package, Black - Torque	1	1
	B,E	1043624	Decal, Label Package, White - Torque	1	1
	B,E	1043621-NLA	NLA - Decal, Label Package, Black - Arrow	1	1
	B,E	1043622-NLA	NLA - Decal, Label Package, White - Arrow	1	1
	B,E	1043625-NLA	NLA - Decal, Label Package, Black - Storm X	1	1
	B,E	1043626-NLA	NLA - Decal, Label Package, White - Storm X	1	1
	C,E	1080647-NLA	NLA - Decal, Label Package, Black - Torque G/B	1	1
	C,E	1095492-NLA	NLA - Decal, Label Package, Black - Torque G/B	1	1
	C,E	1079268-NLA	NLA - Decal, Label Package, Black - Arrow G/B	1	1
	C,E	1095491-NLA	NLA - Decal, Label Package, White - Arrow G/B	1	1
	C,E	1079249-NLA	NLA - Decal, Label Package, Black - Ranger X G/B	1	1
	C,E	1095490-NLA	NLA - Decal, Label Package, White - Ranger X G/B	1	1
	E	1074139-NLA	NLA - Decal, MWD	1	2
	A,E	1079515-NLA	NLA - Kit, T-Nut with Instruction Sheet	1	1
5	L	See Note-NLA	See Footnote	1	1

Packaging, Literature and Decals

NOTE: A - Used with Storm base only. Can use part #40131X011 Carton for a Joystick also.
B - Decal package includes Invacare logo, model, transportation and patent numbers decals.
C - Decal package includes Invacare logo, model, transportation, patent numbers and G/B decals.
D - Used for chairs with frame colors, 02P, 29P, and 84P only.
E - Not Shown.
F - 12-20" Wide Non-recliner, 18" Wide Extended and High Back Captain Seats.
G - 16-20" Wide Recliner and Non-recliner with Medium-Tall Seat-to-floor.
H - 21-24" Wide Recliner and Non-recliner or 22" Wide High-Back Captain Seat.
I - Base Only or All A.S.B.A. Seat Only Models.
J - 12-20" Wide Chairs and Base Only.
K - 21-24" Wide Chairs
L - Woods Skid is NOT AVAILABLE as a service part.

NOTE: As of 1/11/00, the Invacare logo was added along with new model decals and relocation of the G/B decal to the rear battery box assembly.

NOTE: When adjusting or replacing parts, please refer to your Owner's Manual for assistance.