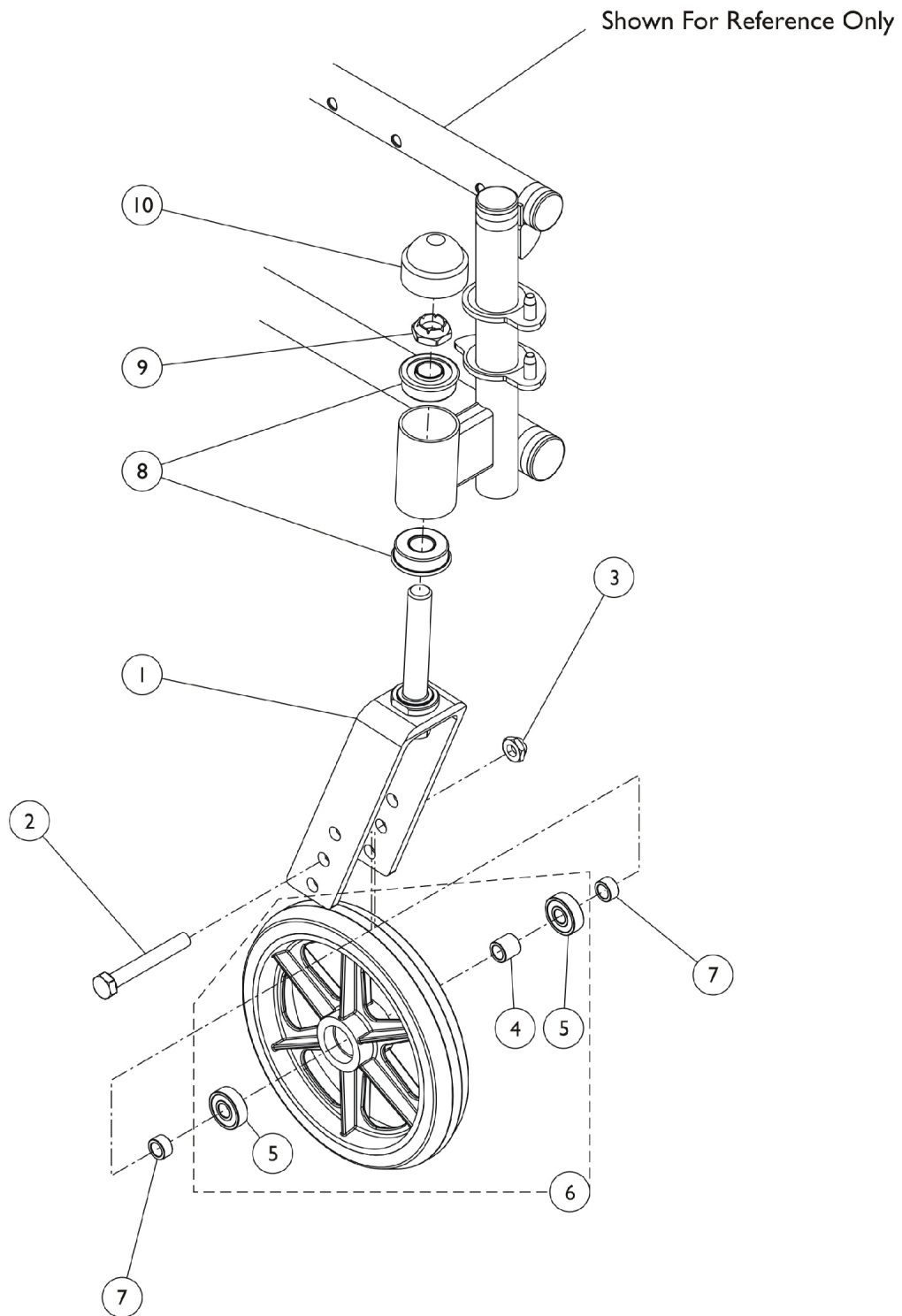


# Casters - Front, Forks and Mounting Hardware



## Casters - Front, Forks and Mounting Hardware

Item Number	Note	Part Number	Description	Quantity Per	
				Package	Assembly
1		1037420	Fork and Stem Assembly, Black (6 x 1" Caster)	1	1
2		40317X002	Screw, Hex Head (5/16-24 x 2-1/4")	1	1
3		60264X001	Locknut (5/16-24)	1	1
4		1026172	Spacer (5/16 x 7/16 x 15/32")	1	1
5		40117X026	Bearing, Flange (5/16")	1	2
6	A,D	1026956	Wheel Assembly, Composite Urethane, Light Grey (6" x 1")	1	1
6	A,E	1101023	Wheel Assembly, Dark Grey (6" x 1")	1	1
6	A,F	1034352	Kit, Wheel with Tire and Bearings Assembly (6") (Pair)	1	1
			Wheel Assembly, 3 Spoke Urethane w/ Bearings, Dark Grey (6" x 1")	2	1
7		1053202	Spacer (5/16 x 7/16 x 1/4")	1	2
8		1001801	Bearing, Flange (1/2")	1	2
9		1001979	Locknut (1/2-20)	1	1
10		1131189	Package, Head Tube Cap	10	1
10		1001843	Cap, Head Tube, Black	1	1
11	B,C	1061319	Hardware	1	1

NOTE: A - Includes bearings and bearing spacer.  
 B - Not Shown.  
 C - Includes items 2, 3, and 7.  
 D - Model 1686.  
 E - Model 1687.  
 F - Model AT902.