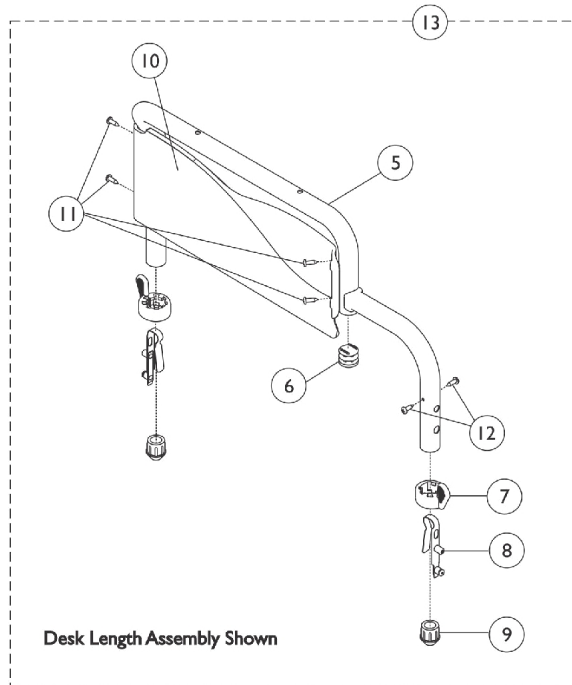
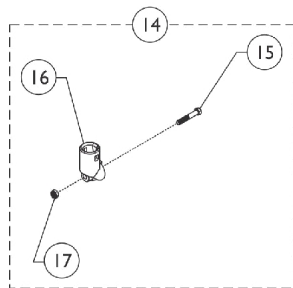
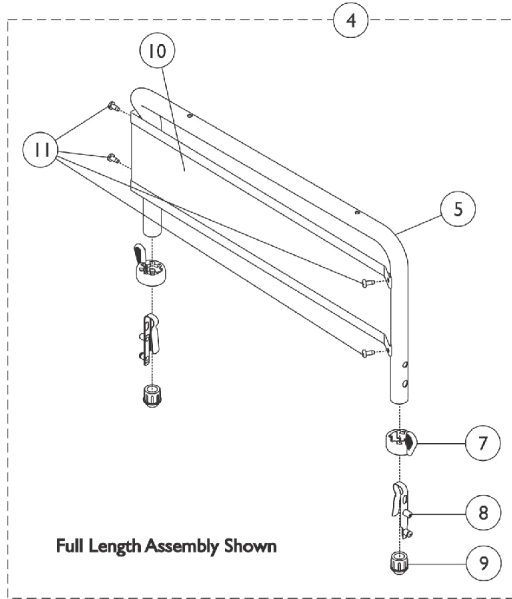


# Space Saver Fixed Height Arms

NOTE: Color arms are no longer available (NLA) and have been replaced with black arms.



## Space Saver Fixed Height Arms

NOTE: Color arms are no longer available (NLA) and have been replaced with black arms.

Item Number	Note	Part Number	Description	Quantity Per	
				Package	Assembly
1	A,B	8881127509	Kit, Arm Pad w/Screws - Full Length	1	1
2			NLA - Pad, Arm, Full Length w/ Law Label	1	1
3			Package, Screw Phillips Pan Head (#10-32 x 1-1/8")	1	2
1	A,B	8881127510	Kit, Arm Pad w/Screws - Desk Length	1	1
2			NLA - Arm Pad, Desk Length w/ Law Label	1	1
3			Package, Screw Phillips Pan Head (#10-32 x 1-1/8")	1	2
4	C,D	1100983	Assembly, Space Saver Fixed, Armrest, Full Length, Black - Right	1	1
5			Tube, Armrest, Full Length, Black - Right	1	1
7			Handle, Quad Release	1	2
8			Spring, Torsion with Button Lock	1	2
9			Plug, Armrest, Black (3/4") (20GA)	1	2
10			Guard, Clothing, Black Steel, Full Length - Right	1	1
11			Screw, Phillips Pan Head Tap (#8-32 x 3/8")	1	4
4	C,D	1100984	Assembly, Space Saver Fixed, Armrest, Full Length, Black - Left	1	1
5			Tube, Armrest, Full Length, Black - Left	1	1
7			Handle, Quad Release	1	2
8			Spring, Torsion with Button Lock	1	2
9			Plug, Armrest, Black (3/4") (20GA)	1	2
10			Guard, Clothing, Black Steel, Full Length - Left	1	1
11			Screw, Phillips Pan Head Tap (#8-32 x 3/8")	1	4
12	C,E	1100975	Assembly, Space Saver Fixed, Armrest, Desk Length, Black - Right	1	1
5			Tube, Armrest, Desk Length, Black - Right	1	1
6			Plug Button, Black (3/4")	1	1
7			Spring, Torsion with Button Lock	1	2
8			Handle, Quad Release	1	2
9			Plug, Armrest, Black (3/4") (20GA)	1	2
10			Guard, Clothing, Desk Length - Right	1	1
12			Screw, Self Tapping (#6-20 x 1/2")	1	4
13			Screw, Phillips Pan Head Tap (#6-20 x 3/8")	1	2
12	C,E	1100976	Assembly, Space Saver Fixed, Armrest, Desk Length, Black - Left	1	1
5			Tube, Arm, Desk Length, Black - Left	1	1
6			Plug Button, Black (3/4")	1	1
7			Spring, Torsion with Button Lock	1	2
8			Handle, Quad Release	1	2
9			Plug, Armrest, Black (3/4") (20GA)	1	2
10			Guard, Clothing, Desk Length - Left	1	1
12			Screw, Self Tapping (#6-20 x 1/2")	1	4
13			Screw, Phillips Pan Head Tap (#6-20 x 3/8")	1	2
14	F,G	1058139	Kit, Armrest Hardware	1	1
15			NLA - Screw, Hex Head (1/4-20 x 1-3/8")	1	1
16			Cup, Socket Pivot	1	1
17			Locknut (1/4-20)	1	1

## Space Saver Fixed Height Arms

**NOTE: Color arms are no longer available (NLA) and have been replaced with black arms.**

Item Number	Note	Part Number	Description	Quantity Per	
				Package	Assembly
	G,H	1123305-NLA	NLA - Kit, Clothing Guard, Desk Length w/ Screws (Pair)	1	1
	G,H	1123306-NLA	NLA - Kit, Clothing Guard, Full Length w/ Screws (Pair)	1	1
<p><b>NOTE:</b> A - Specify color when ordering. See category titled, "Upholstery Colors, Frame Finishes and Packaging and Literature."            B - Includes items 2 and 3.            C - Due to style change, it is recommended when ordering an arm a clothing guard kit also be ordered for chairs built before 11/25/03, .            D - Includes items 5, 7-11. Does not include item 6.            E - Includes items 5-10, 12 and 13.            F - Includes items 15-17.            G - Not shown.            H - Kit includes clothing guards, screw and decals. Clothing Guards are not sold individually.</p>					