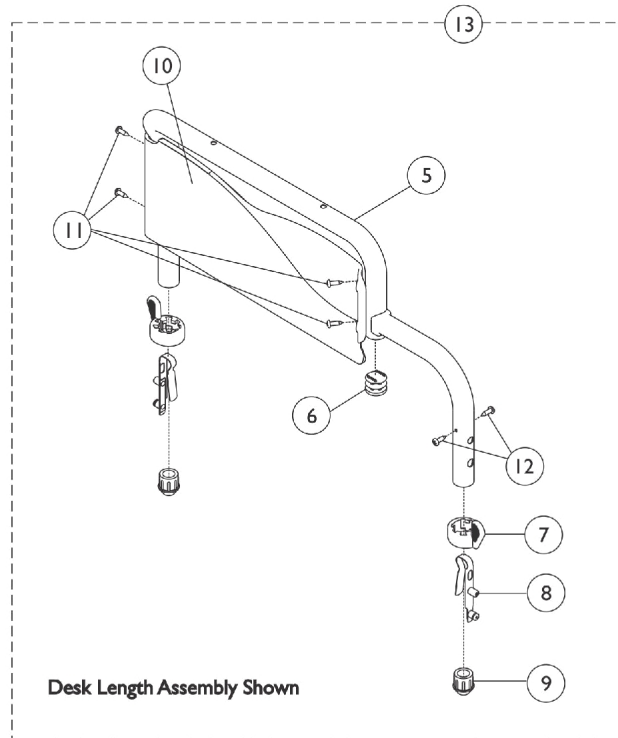
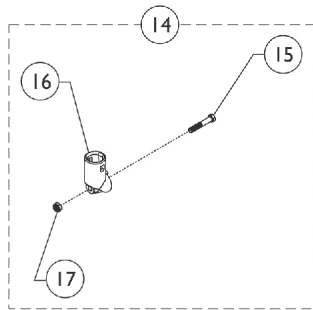
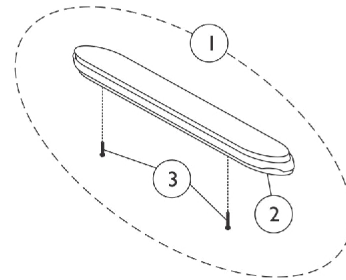
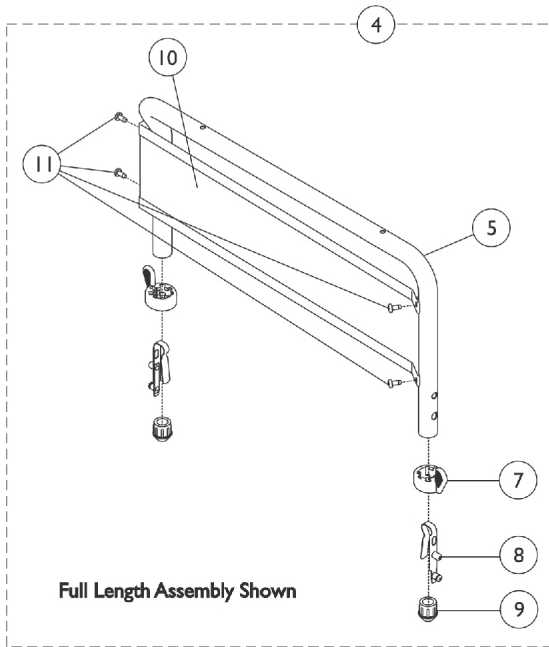


Conventional Fixed Height Arms

NOTE: Color arms are no longer available (NLA) and have been replaced with black arms.



Conventional Fixed Height Arms

NOTE: Color arms are no longer available (NLA) and have been replaced with black arms.

Item Number	Note	Part Number	Description	Quantity Per	
				Package	Assembly
1	A,B	8881127509	Kit, Arm Pad w/Screws - Full Length	1	1
2			NLA - Pad, Arm, Full Length w/ Law Label	1	1
3			Package, Screw Phillips Pan Head (#10-32 x 1-1/8")	1	2
1	A,B	8881127510	Kit, Arm Pad w/Screws - Desk Length	1	1
2			NLA - Arm Pad, Desk Length w/ Law Label	1	1
3			Package, Screw Phillips Pan Head (#10-32 x 1-1/8")	1	2
4	C,D	1100986	Assembly, Armrest, Full Length, Black - Right/Left	1	1
5			Tube, Armrest, Full Length, Black - Right/Left	1	1
7			Handle, Quad Release	1	2
8			Spring, Torsion with Button Lock	1	2
9			Plug, Armrest, Black (3/4") (20GA)	1	2
10			Guard, Clothing, Black Steel, Full Length - Right/Left	1	1
11			Screw, Phillips Pan Head Tap (#8-32 x 3/8")	1	4
13	D,E	1100979	Assembly, Conventional Armrest, Desk Length, Black - Right	1	1
5			Tube, Armrest, Desk Length, Black - Right	1	1
6			Plug Button, Black (3/4")	1	1
7			Handle, Quad Release	1	2
8			Spring, Torsion with Button Lock	1	2
9			Plug, Armrest, Black (3/4") (20GA)	1	2
10			Guard, Clothing, Desk Length - Right	1	1
11			Screw, Self Tapping (#6-20 x 1/2")	1	4
12			Screw, Phillips Pan Head Tap (#6-20 x 3/8")	1	2
13	D,E	1100980	Assembly, Conventional Armrest, Desk Length, Black - Left	1	1
5			Tube, Armrest, Desk Length, Black - Left	1	1
6			Plug, Armrest, Black (3/4") (20GA)	1	2
7			Handle, Quad Release	1	2
9			Plug Button, Black (3/4")	1	1
8			Spring, Torsion with Button Lock	1	2
10			Guard, Clothing, Desk Length - Left	1	1
11			Screw, Self Tapping (#6-20 x 1/2")	1	4
12			Screw, Phillips Pan Head Tap (#6-20 x 3/8")	1	2
14	F	1058139	Kit, Armrest Hardware	1	1
15			NLA - Screw, Hex Head (1/4-20 x 1-3/8")	1	1
16			Cup, Socket Pivot	1	1
17			Locknut (1/4-20)	1	1
	G	1117367-NLA	NLA - Kit, Clothing Guard, Desk Length	1	1
			Screw, Self Tapping (#6-20 x 1/2")	1	8
			Guard, Clothing, Desk Length - Right	1	1
			Guard, Clothing, Desk Length - Left	1	1
	G	1117368	NLA - Kit, Clothing Guard, Full Length	1	1
			Screw, Self Tapping (#6-20 x 1/2")	1	8
			Guard, Clothing, Full Length - Right	1	1
			Guard, Clothing, Full Length - Left	1	1

Conventional Fixed Height Arms

NOTE: Color arms are no longer available (NLA) and have been replaced with black arms.

NOTE: A - Specify color when ordering. See category titled, "Upholstery Colors, Frame Finishes and Packaging and Literature."
B - Includes items 2 and 3.
C - Includes items 5, 7-11.
D - Due to style change, it is recommended when ordering an arm a clothing guard kit also be ordered for chairs built before 11/25/03.
E - Includes items 5-12.
F - Includes items 15-17.
G - Not shown.