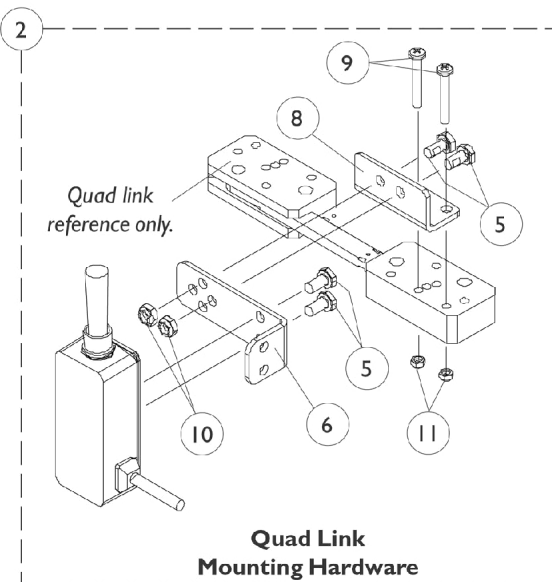
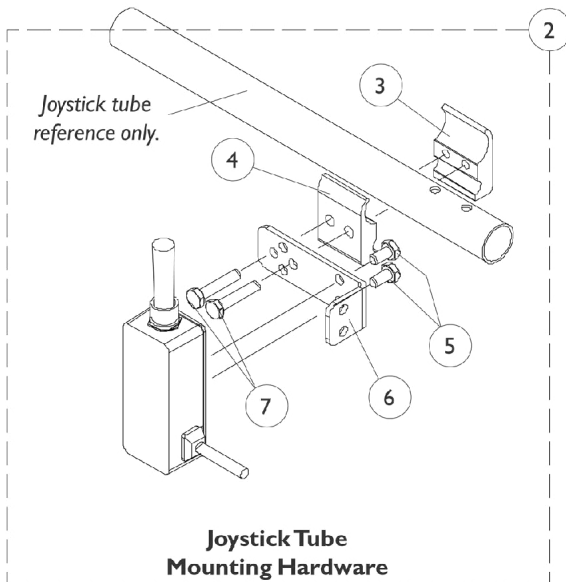
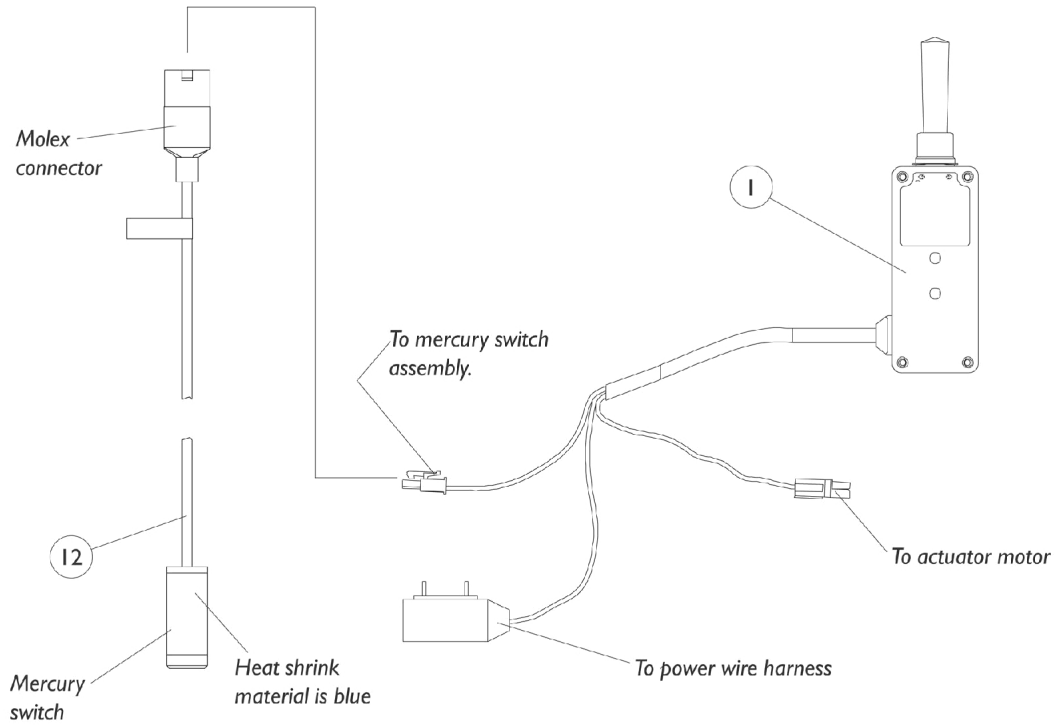


Electronics

Tilt Recline Single Switch (TRSS)

As of 7/1/2009, switches are mercury free. TRSS Tilt Recline Single Switch is not used with MK6i electronics.



Electronics

Tilt Recline Single Switch (TRSS)

As of 7/1/2009, switches are mercury free. TRSS Tilt Recline Single Switch is not used with MK6i electronics.

Item Number	Note	Part Number	Description	Quantity Per	
				Package	Assembly
1		1089384	Switch, Toggle Tilt Recline Single (TRSS)	1	1
2	A	1091496	Kit, Joystick Tube Toggle Switch Mounting Hardware	1	1
3			NLA - Half Clamp, Threaded Holes	1	1
4			Half Clamp, Non-Threaded Holes	1	1
5			Screw, Hex Head w/ Patch (1/4-20 x 1/2")	1	2
6			NLA - Bracket, Toggle Switch Mounting, Black	1	1
7			NLA - Screw, Hex Head (1/4-20 x 1-1/8")	1	2
2	B	1091497-NLA	NLA - Kit, Quad Link Toggle Switch Mounting Hardware	1	1
5			Screw, Hex Head w/ Patch (1/4-20 x 1/2")	1	4
6			NLA - Bracket, Toggle Switch Mounting, Black	1	1
8			NLA - Bracket, Quad Link Toggle Switch Mounting, Black	1	1
9			Screw, Phillips Pan Head (#10-32 x 1-3/8")	1	2
10			Locknut (1/4-20)	1	2
11			Locknut (#10-32)	1	2
12		1080635-NLA	NLA - Harness, Recline/Tilt Limit Mercury Free Ball Switch	1	1
	C	1106544-NLA	NLA - Kit, Switch Clip with Mounting Hardware	1	1
			NLA - Bracket, Cable/Wire Mounting, Black	1	1
			Screw, Phillips Pan Head Tap (#10-16 x 3/4")	1	1
			Lockwasher, External Tooth (#10)	1	1

NOTE: A - Includes items 3-7
 B - Includes items 5, 6, and 8-11
 C - Not Shown and includes 1 ea. of the (Bracket, Limit Switch); (#10-32 x 3/4" Screw, Phillips Self Tap); (#10 Lockwasher, External Tooth)