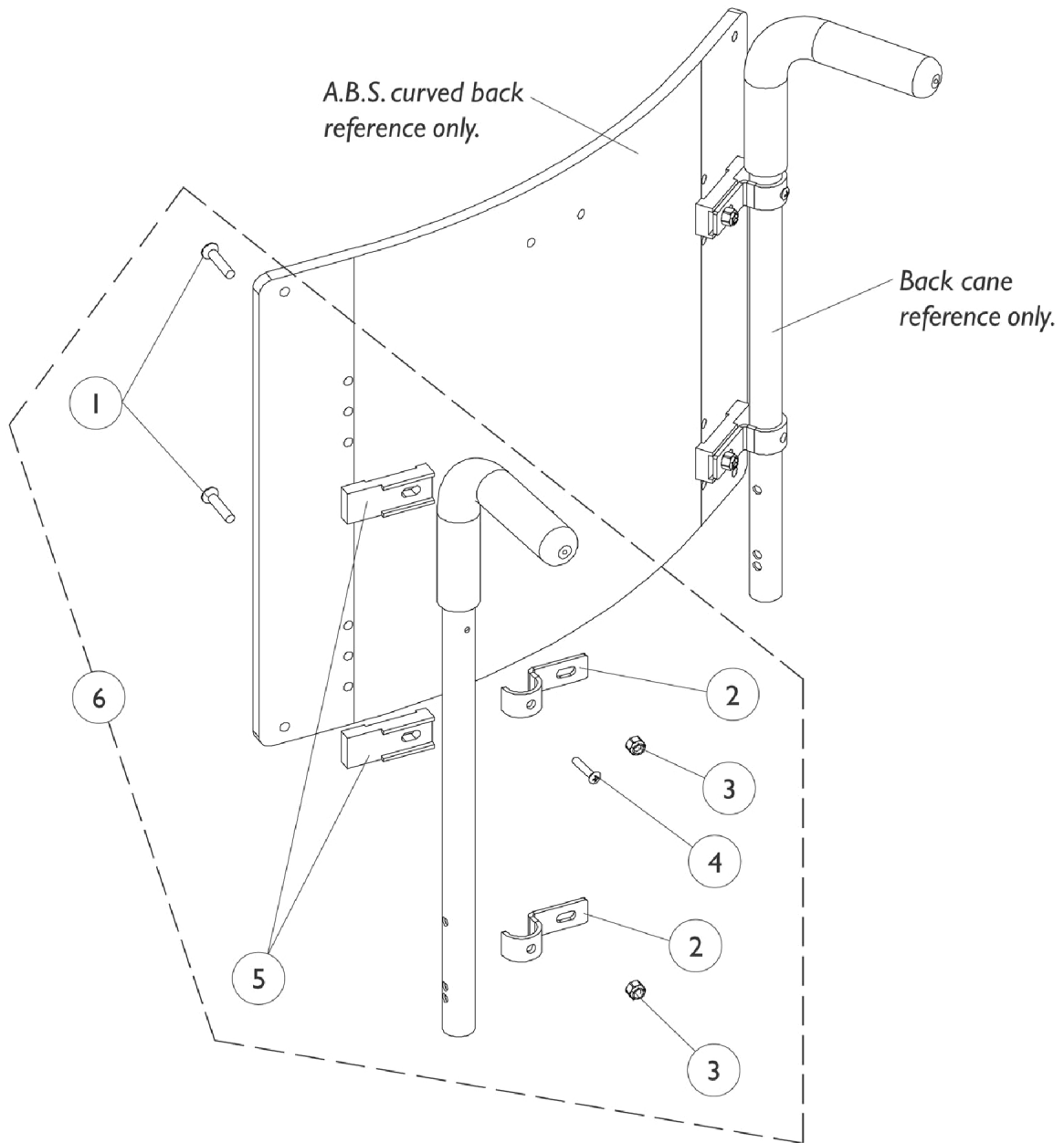


ABS Curved Back Mounting Hardware



ABS Curved Back Mounting Hardware

Item Number	Note	Part Number	Description	Quantity Per	
				Package	Assembly
6	A	1106395-NLA	NLA - Kit, ABS Curved Back Mounting Hardware	1	1
1			NLA - Screw, Socket Flat Head (1/4-20 x 1-1/4")	1	4
2			Hook, Back Assembly Mounting	1	4
3			Locknut (1/4-20)	1	4
4			NLA - Screw, Phillips Oval Head (#10-16 x 7/8")	1	2
5			NLA - Spacer, Back Pan, Black	1	4

NOTE: A - Includes items 1-5