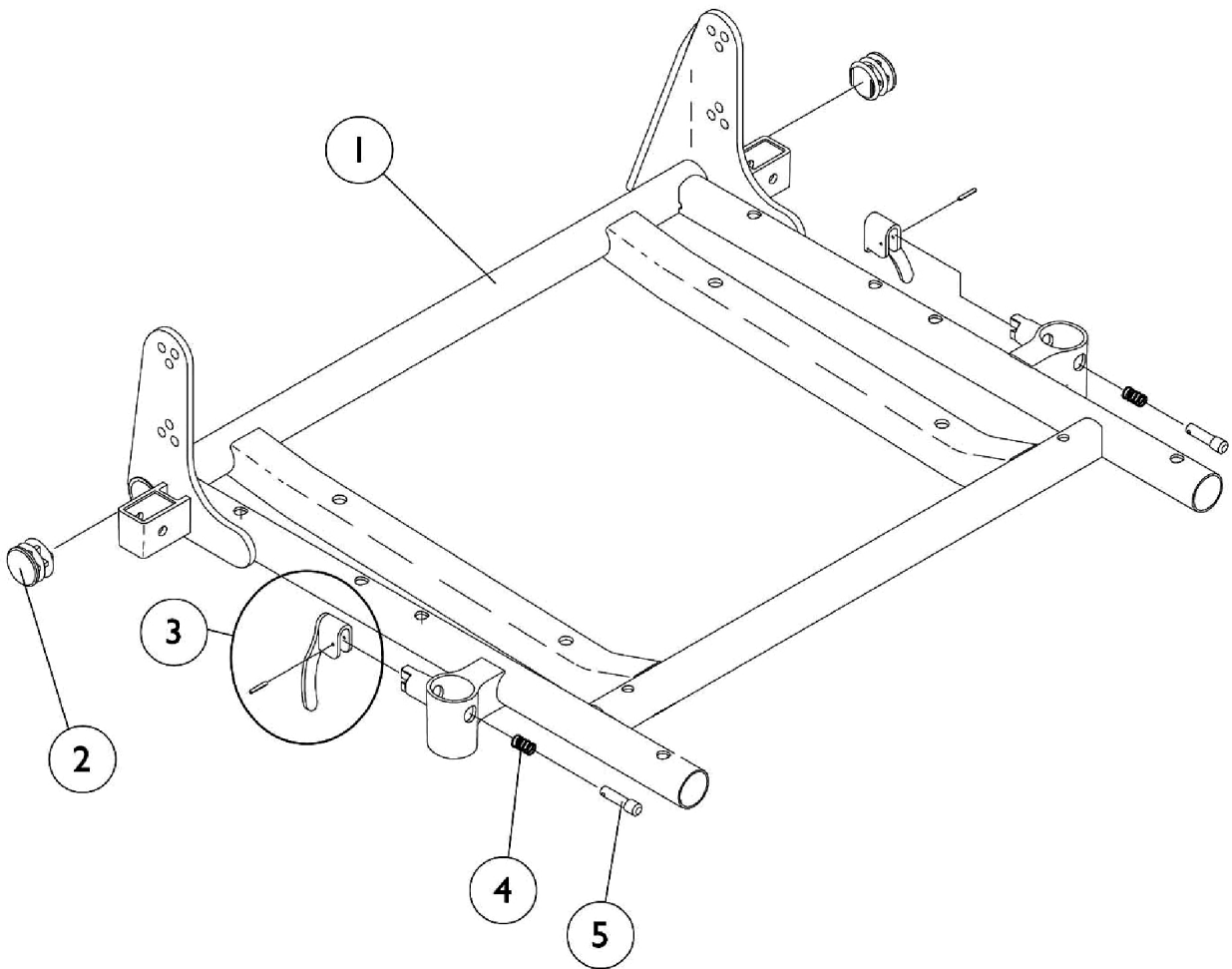


ASBA Seat Frame and Hardware (16"-22" Wide)

When a PTO kit is configured for the first time, the kit will include all INTERFACING HARDWARE to convert an EXISTING customers ASBA seat assembly into a PTO - Power Tilt Only seating system. If a complete ASBA seat assembly is required, call Invacare's customer service department for assistance and a complete ASBA seat assembly will be configured separately as well.



ASBA Seat Frame and Hardware (16"-22" Wide)

When a PTO kit is configured for the first time, the kit will include all INTERFACING HARDWARE to convert an EXISTING customers ASBA seat assembly into a PTO - Power Tilt Only seating system. If a complete ASBA seat assembly is required, call Invacare's customer service department for assistance and a complete ASBA seat assembly will be configured separately as well.

Item Number	Note	Part Number	Description	Quantity Per	
				Package	Assembly
1	A	See Chart	#1 ASBA Seat Frame and Hardware (16"-22" Wide)	1	1
2		1029501	Plug Button, Black (1")	1	2
3		1090768	Kit, Lock Handle w/Rivets (Pair)	2	1
4		47471X074	Spring, Arm Lock	1	2
5		1028594	Pin, Arm Lock, Black	1	2

NOTE: A - Includes seat frame and items 2-5

#1 Seat Frame with Hardware

Seat Width	16" - 17" Deep	18" - 19" Deep	20" - 21" Deep	22" Deep
16" W	1070672-NLA	1070681-NLA	1070690-NLA	1070699-NLA
17" W	1070673-NLA	1070682-NLA	1070691-NLA	1070700-NLA
18" W	1070674-NLA	1070683-NLA	1070692-NLA	1070701-NLA
19" W	1070675-NLA	1070684-NLA	1070693-NLA	1070702-NLA
20" W	1070676-NLA	1070685-NLA	1070694-NLA	1070703-NLA
21" W	1070677-NLA	1070686-NLA	1070695-NLA	1070704-NLA
22" W	1070678-NLA	1070687-NLA	1070696-NLA	1070705-NLA