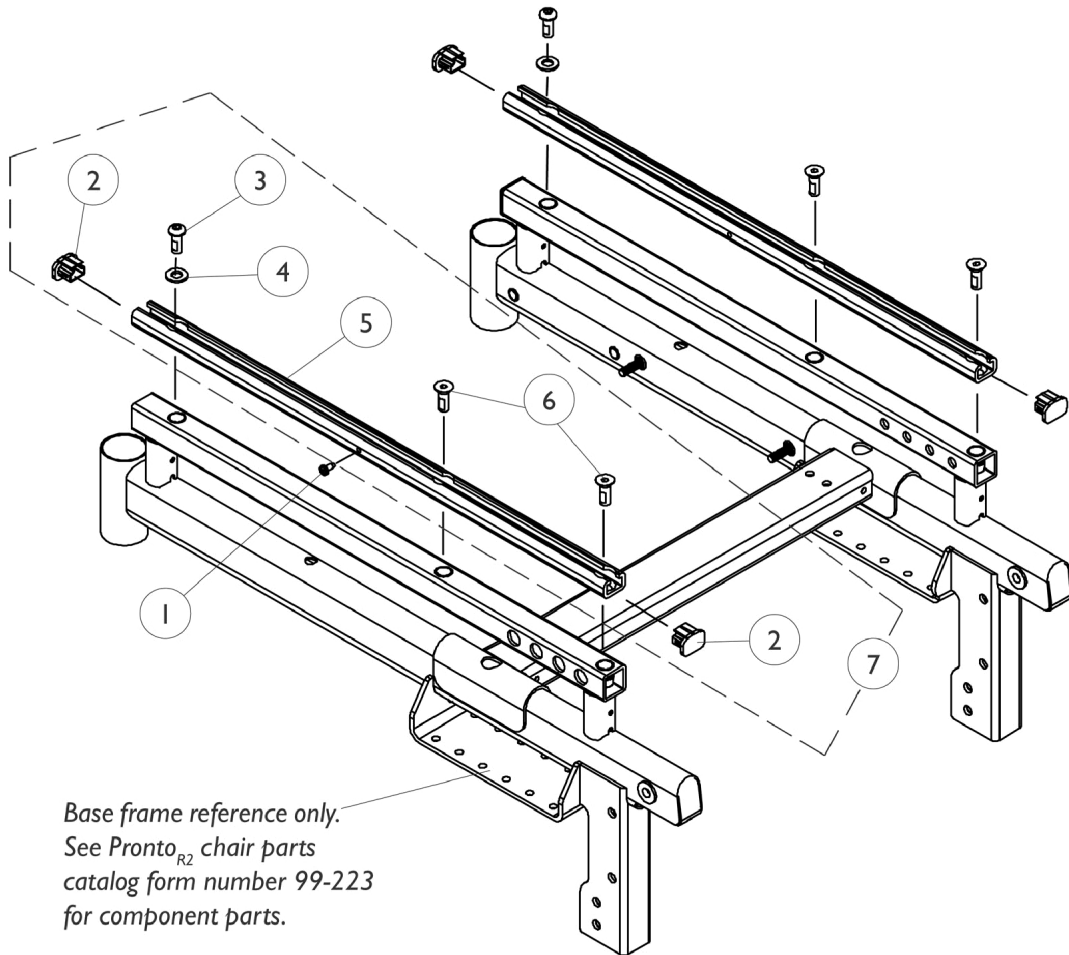


Base Frame Seat Mounting Extrusions



Base frame reference only.
See Pronto_{R2} chair parts
catalog form number 99-223
for component parts.

Base Frame Seat Mounting Extrusions

Item Number	Note	Part Number	Description	Quantity Per	
				Package	Assembly
1		1025729	Screw, Phillips Pan Head Tap (#8-32 x 3/8")	1	2
2		1096769-NLA	NLA - Cap, End, Black	1	4
3		1065215	Screw, Socket Button Head w/ Patch (5/16-18 x 3/4")	1	2
4		1025704	Washer, Flat (5/16 x 5/8 x 1/16")	1	2
5		1098872-NLA	NLA - Extrusion, Seat Mounting	1	2
6		1095586-NLA	NLA - Screw, Socket Flat Head w/ Patch (5/16-18 x 7/8")	1	4
7	A	1098302-NLA	NLA - Extrusion, Seat Mounting and Hardware (Pair)	2	1

NOTE: A - Includes items 2-6