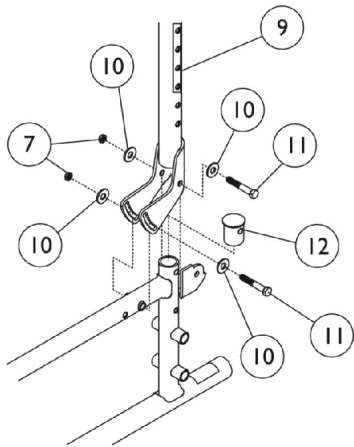
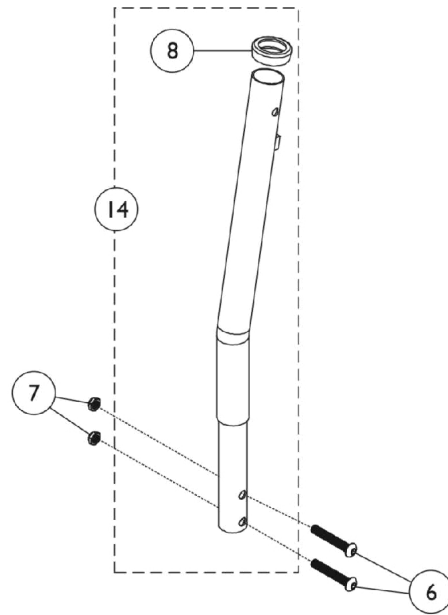


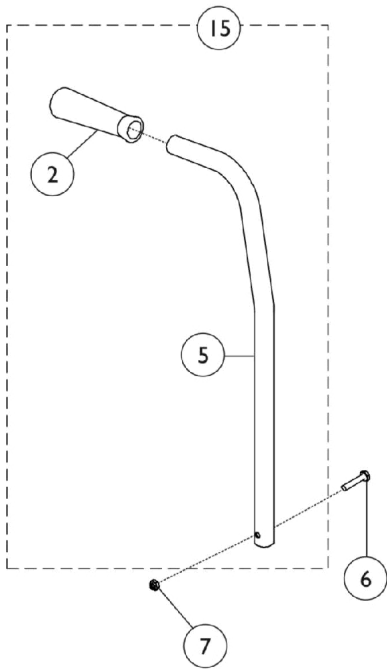
Back Canes and Hardware



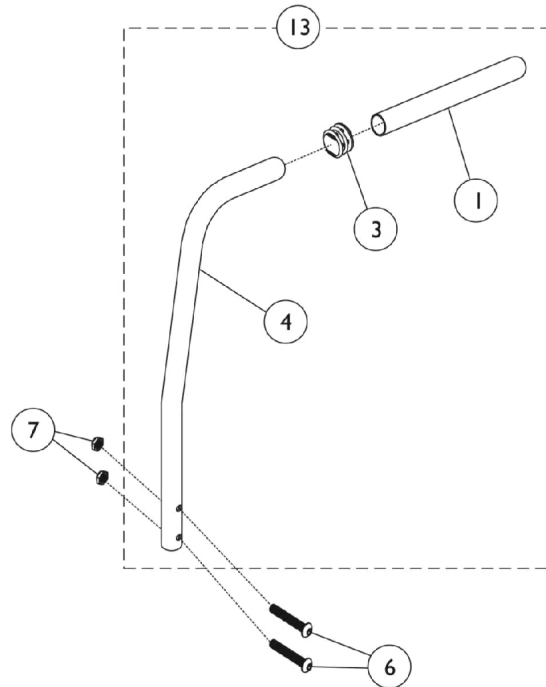
Adjustable Angle Back Hardware



Adjustable Height Back with 10 Degree Bend for Stroller Handles



Upright Extended Assembly with 10 Degree Bend



Adjustable Height Back with 10 Degree Bend

Back Canes and Hardware

Item Number	Note	Part Number	Description	Quantity Per	
				Package	Assembly
1		1006229	Grip, Foam (8")	1	1
2		1057248	Grip, Hand, Foam (4-3/4")	1	1
3		1027097	Plug Button, Black (3/4")	1	1
4		1020545-NLA	NLA - Cane, Back with Bend	1	1
5		1064524	Cane, Back, 10 Degree Bend	1	1
6		1008432	Screw, Socket Button Head (1/4-20 x 1-1/4")	1	2
7		60275X000	Locknut (1/4-20)	1	2
8		15680X013	Anti-Rattle (1")	1	1
9		1100615-NLA	NLA - Bracket, Adjustable Angle, Chrome	1	1
9		8881100613	Bracket, Adjustable Angle, Color	1	1
10		16348X009-NLA	NLA - Washer, Steel (3/16 x 9/16 x 1/16")	1	4
11		1013046-NLA	NLA - Screw, Hex Head (1/4-20 x 1-3/4")	1	2
12		1063137	Plug, End	1	1
13	A	1028372	Back Cane Assembly, 10 Degree Bend	1	1
14	B	1101949	Adjustable Back Cane Assembly	1	1
15	C	1064525-NLA	NLA - Cane Assembly, Extended with 10 Degree Bend	1	1
			Grip, Hand, Foam (4-3/4")	1	1
			Cane, Back, 10 Degree Bend	1	1
	D,E	1042623	Hardware, Mounting	1	2
			Screw, Socket Button Head (1/4-20 x 1-1/4")	1	4
			Locknut (1/4-20)	1	4

NOTE: A - Includes items 1, 3 and 4.
 B - Includes Cane, Bushing and Anti-Rattle.
 C - Includes items 2 and 5.
 D - Includes items 6-7.
 E - Not Shown.