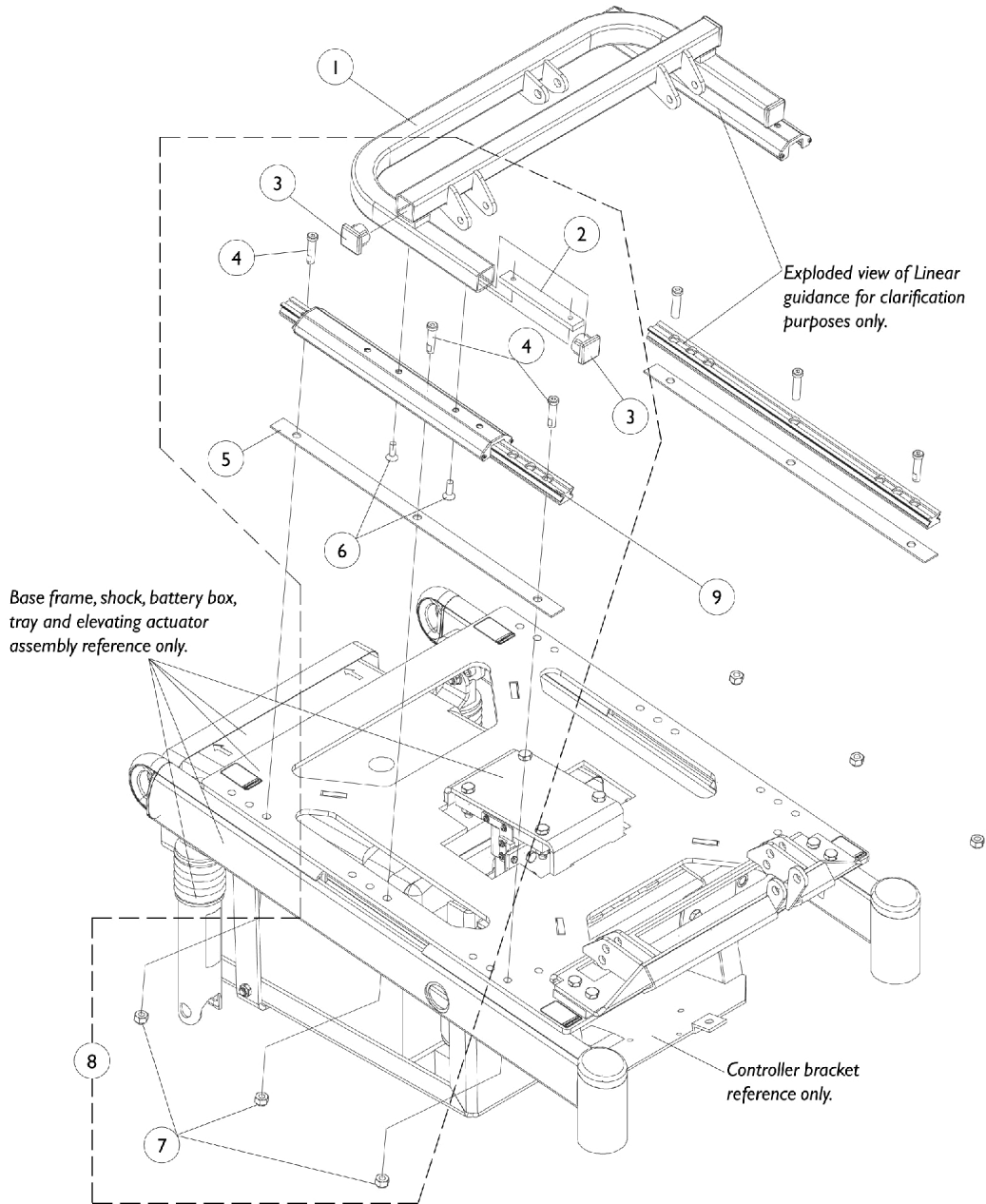


Rear Frame and Mounting Hardware For Elevating seat

NOTE: For 3rd Generation Storm Series Only. (ESS-PTO) Elevate w/ PTO was discontinued 10/16/06. After 10/15/06, refer to the Formula CG Powered Seating System Parts Catalog Form #06-106 for Elevate components on a 3G Storm Series.



Rear Frame and Mounting Hardware For Elevating seat

NOTE: For 3rd Generation Storm Series Only. (ESS-PTO) Elevate w/ PTO was discontinued 10/16/06. After 10/15/06, refer to the Formula CG Powered Seating System Parts Catalog Form #06-106 for Elevate components on a 3G Storm Series.

Item Number	Note	Part Number	Description	Quantity Per	
				Package	Assembly
1		1087632-NLA	NLA - Frame Assembly w/o Decal, Black - Rear	1	1
2		1087652-NLA	NLA - Bar, Clamp, Color	1	2
3		1071237	Plug Button, Square, Black (1")	1	4
4		1108429-NLA	NLA - Screw, Socket Head w/ Patch (5/16-18 x 1-1/4")	1	6
5		1068114-NLA	NLA - Shim, Seat Slide, Lower Extrusion	1	2
6		1091869-NLA	NLA - Screw, Socket Flat Head w/ Patch (1/4-20 x 3/4")	1	4
7		1026158	Locknut (5/16-18)	1	6
8	A	1109099-NLA	NLA - Hardware, Rear Frame Mounting (Pair)	2	1
9		1087732-NLA	NLA - Guide, Linear	1	2

NOTE: A - Less Linear Guidance (Pair) Includes items 2-7