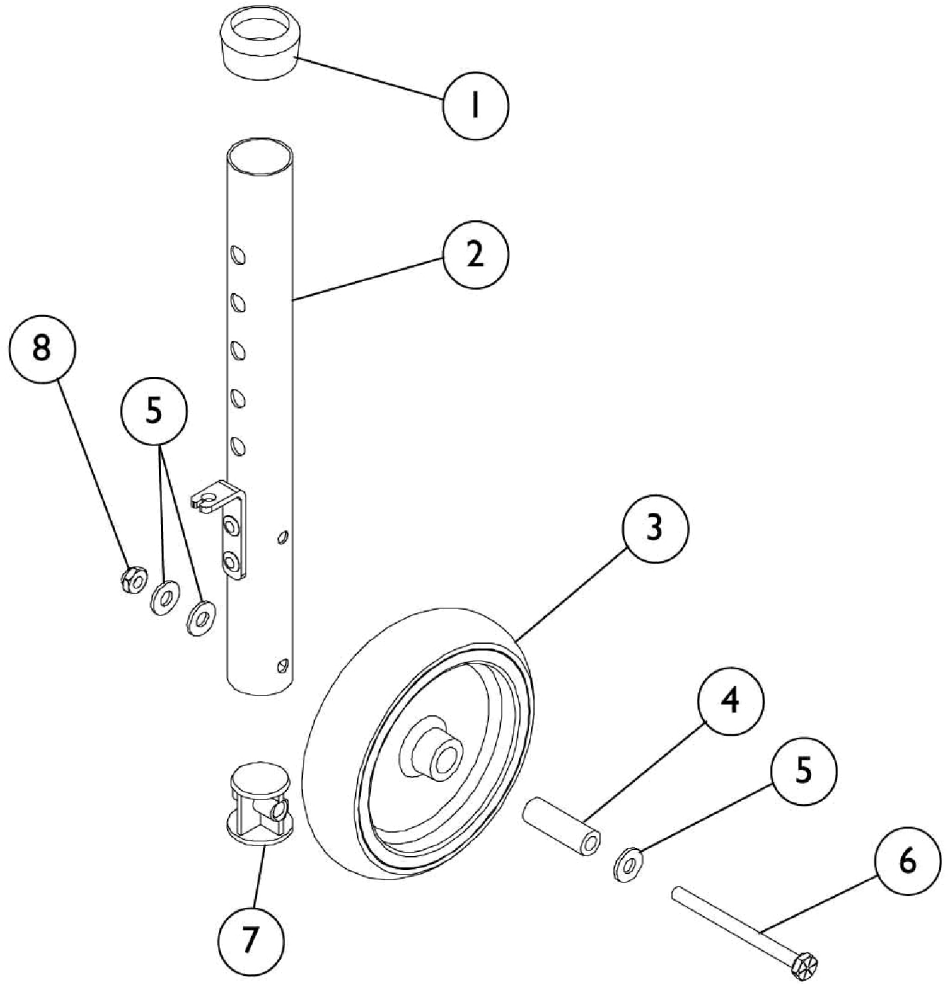


Fixed Wheel Attachment (Rollator) Model 65100

Model 65100



*Attachments Sold in Pairs
Single Side Shown*

Fixed Wheel Attachment (Rollator) Model 65100

Item Number	Note	Part Number	Description	Quantity Per	
				Package	Assembly
	A,B	1109140-NLA	NLA - Kit, Rear Wheel - Right	1	1
			Anti-Rattle, Grey (1-1/8")	1	1
			Extension, Leg	1	1
			Wheel (5" x 1-1/4")	1	1
			Bushing (1/4 x 1-3/8")	1	1
			NLA - Washer, Flat (1/4 x 5/8 x 1/16")	1	3
			NLA - Screw, Hex Head (1/4 -20 X 3")	1	1
			Plug, Black	1	1
			Locknut (1/4-20)	1	1
	A,B	1109141-NLA	NLA - Kit, Rear Wheel - Left	1	1
			Anti-Rattle, Grey (1-1/8")	1	1
			Extension, Leg	1	1
			Wheel (5" x 1-1/4")	1	1
			Bushing (1/4 x 1-3/8")	1	1
			NLA - Washer, Flat (1/4 x 5/8 x 1/16")	1	3
			NLA - Screw, Hex Head (1/4 -20 X 3")	1	1
			Plug, Black	1	1
			Locknut (1/4-20)	1	1
NOTE: A - Not Shown. B - Kit Includes Items 1-8.					