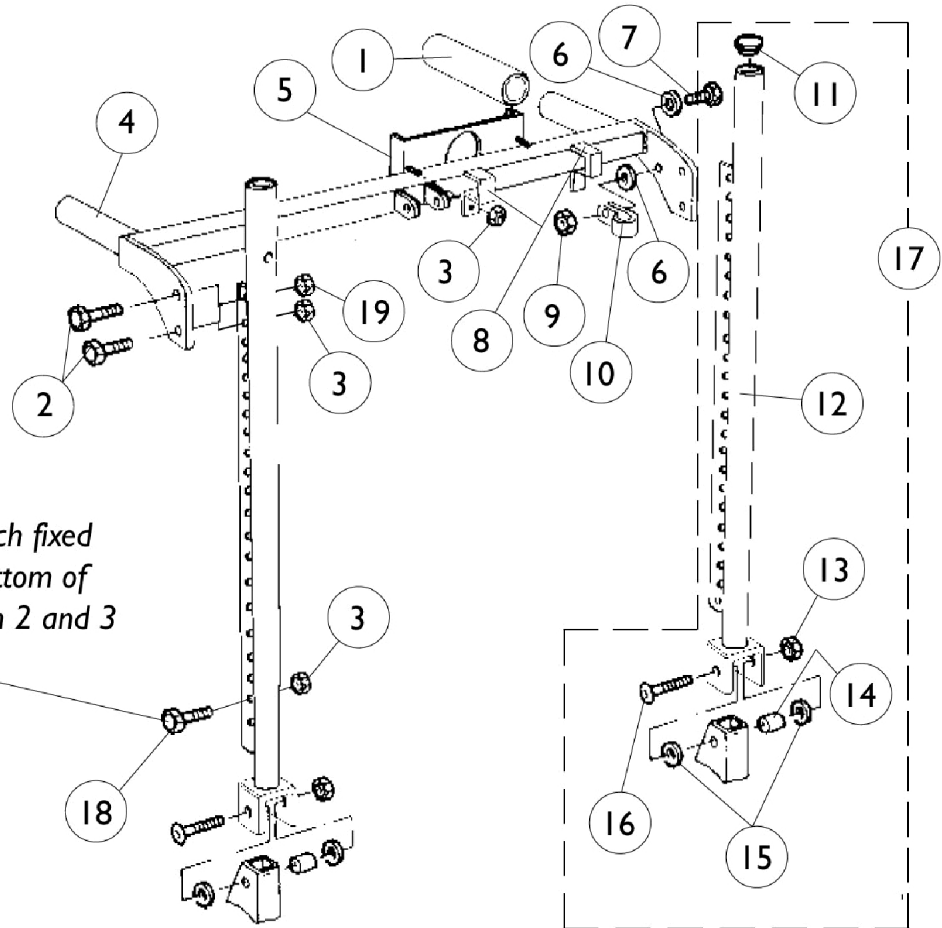


# Back Cane Assembly

## Tilt/Recline & Recline Only



*Item 18 is used to attach fixed curved backs to the bottom of the back cane and item 2 and 3 are used at the top.*

## Back Cane Assembly Tilt/Recline & Recline Only

Item Number	Note	Part Number	Description	Quantity Per	
				Package	Assembly
1		0014500-NLA	NLA - Grip, Hand	1	2
2		0053006-NLA	NLA - Screw, Hex Head (1/4-20 x 3/4")	1	4
3		7930333	Locknut (1/4-20)	25	6
4	B	1072883	Push Bar with Hardware, 14" Wide	1	1
4	B	1072884	Push Bar with Hardware, 15" Wide	1	1
4	B	1072812	Push Bar with Hardware, 16" Wide	1	1
4	B	1072813	Push Bar with Hardware, 17" Wide	1	1
4	B	1072814	Push Bar with Hardware, 18" Wide	1	1
4	B	1072815	Push Bar with Hardware, 19" Wide	1	1
4	B	1072816	Push Bar with Hardware, 20" Wide	1	1
4	B	1072885	Push Bar with Hardware, 21" Wide	1	1
4	B	1072886	Push Bar with Hardware, 22" Wide	1	1
5	A	0117206-NLA	NLA - Plate, Max Controller Mounting (4.0-5.5)	1	1
6		0050006-NLA	NLA - Lockwasher, External Star (1/4")	2	2
7		0067106-NLA	NLA - Screw, Phillips Pan Head (#10-32 x 1/2")	1	1
8		0188902	Bracket, Max Controller Mounting	1	2
9		7930332-NLA	NLA - Locknut, High Profile (#10-32)	25	1
10		0062800-NLA	NLA - Bracket, Cable/Wire Mounting, Black	1	1
11		1027095	Plug Button, Black (7/8")	1	2
12		0029324-NLA	NLA - Post, Back, Recliner	1	2
13		0054906	Locknut, High Profile (5/16-18)	1	2
14		0060600	Bushing (7/16 x 5/16 x 1-1/4")	1	2
15		0055800-NLA	NLA - Washer, Nylon (7/16 x 3/4 x 3/32")	1	4
16		0055506-NLA	NLA - Screw, Button Head, Socket (5/16-18 x 2")	1	2
17		1072811-NLA	NLA - Back Cane Assembly	1	2
18		0053006-NLA	NLA - Screw, Hex Head (1/4-20 x 3/4")	1	2
19		7930323-NLA	NLA - Package, Locknut (1/4-20)	25	2

NOTE: A - Only used on systems with 4.0 to 5.5 MAX box.  
B - Includes items 1-3