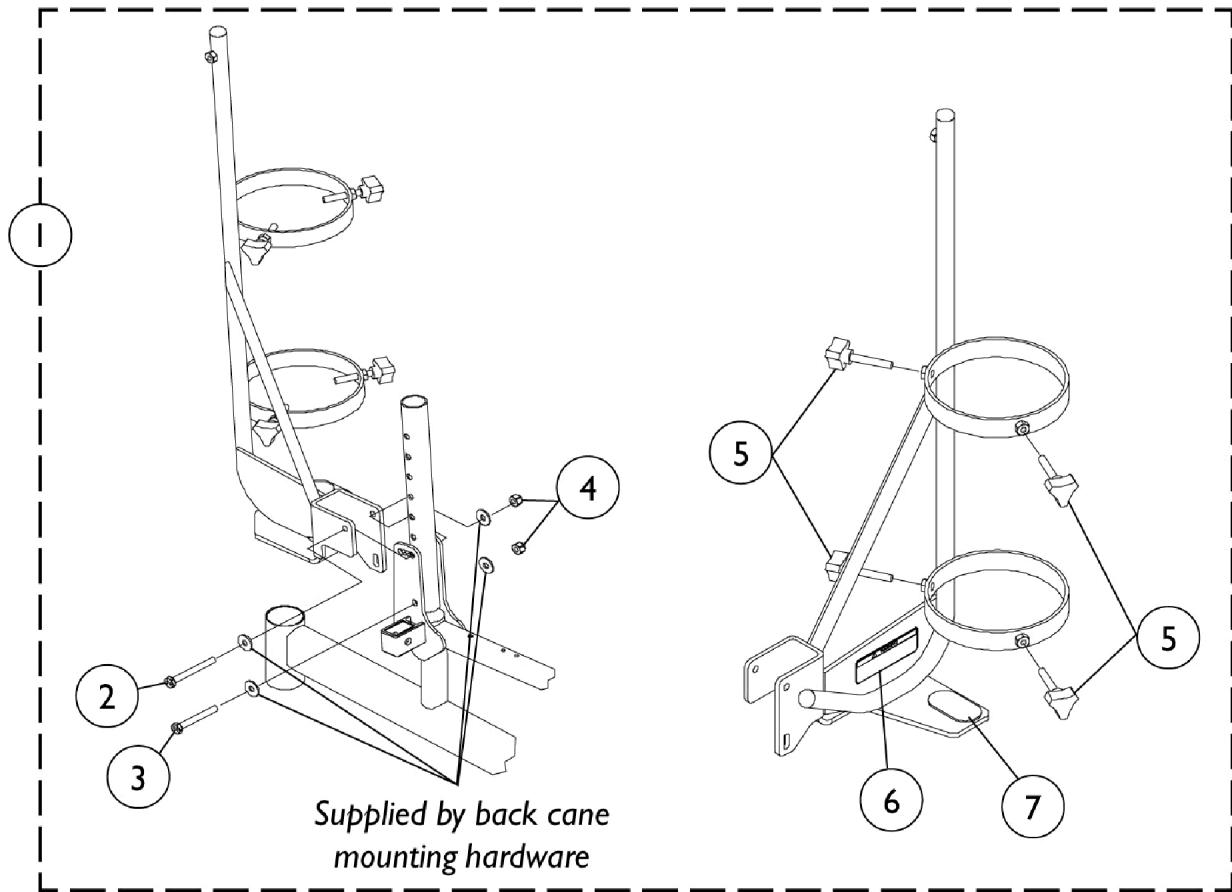


Oxygen Holder Assembly



| Item Number | Note | Part Number | Description | Quantity Per | |
|-------------|------|-------------|---|--------------|----------|
| | | | | Package | Assembly |
| 1 | | 1098857-NLA | NLA - Oxygen Holder Assembly Kit | 1 | 1 |
| 2 | | 1096839-NLA | NLA - Screw, Hex Head (1/4-20 x 2-1/4") | 1 | 1 |
| 3 | | 1096838-NLA | NLA - Screw, Hex Head (1/4-20 x 2") | 1 | 1 |
| 4 | | 1025736 | Locknut (1/4-20) | 1 | 1 |
| 5 | | 1027684 | Knob, Clamping, Black | 1 | 4 |
| 6 | | 1080866 | Decal, Oxygen Warning - English | 1 | 1 |
| 7 | | 1072002-NLA | NLA - Pad, Non Skid | 1 | 1 |
| | A,B | 1098333-NLA | NLA - Instruction Sheet, Oxygen Holder | 1 | 1 |
| | A | 1097276-NLA | NLA - Carton, Shipper | 1 | 1 |

NOTE: A - Not Shown

B - Item is no longer available from the Invacare Service Parts Department. Refer to the Invacare Website under "Product Literature Search". Enter the part number in the "Keywords" field and download a free PDF version copy.