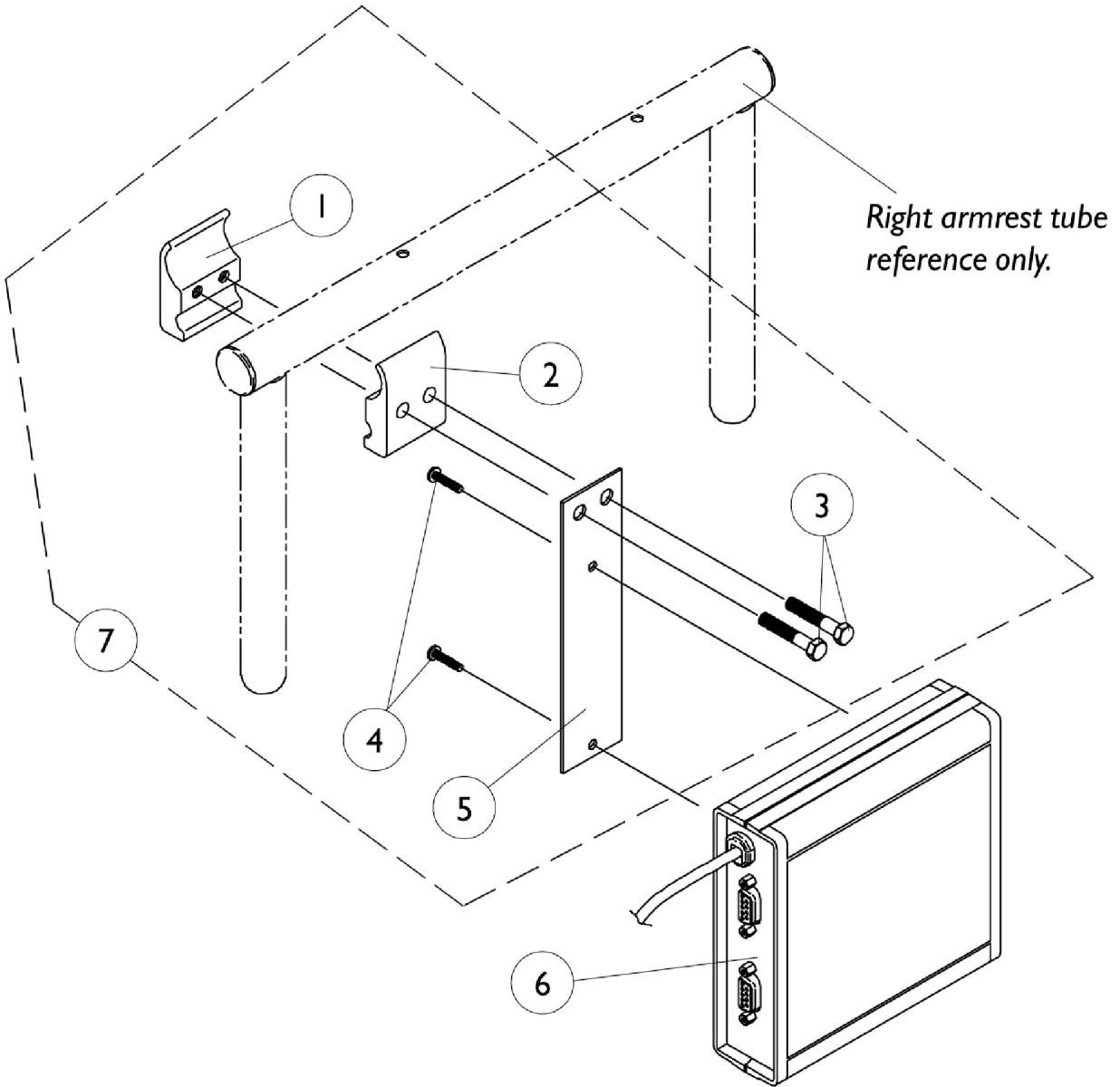


COM12 and COM34



COM12 and COM34

Item Number	Note	Part Number	Description	Quantity Per	
				Package	Assembly
6	C	See Note	See Footnote	1	1
6		1086241-NLA	NLA - Module, Communication, COM34/AUX34	1	1
7	A,B	1049592-NLA	NLA - Kit, COM12/AUX12 and COM34/AUX34 Mounting Hardware	1	1
1			NLA - Half Clamp, Threaded Holes	1	1
2			Half Clamp, Non-Threaded Holes	1	1
3			NLA - Screw, Hex Head (1/4-20 x 1-1/8")	1	2
4			NLA - Fastener, Dual Lock Hook and Loop Adhesive (2" W x 12" L)	1	1
5			NLA - Plate, COM12/AUX12 and COM34/AUX34 Mounting	1	1
NOTE: A - Item 4 Screw #1027264 was replaced with 4" long adhesive loop fastener 7/1/97. B - Includes Items 1-5 C - Part is no longer serviceable in the field.					