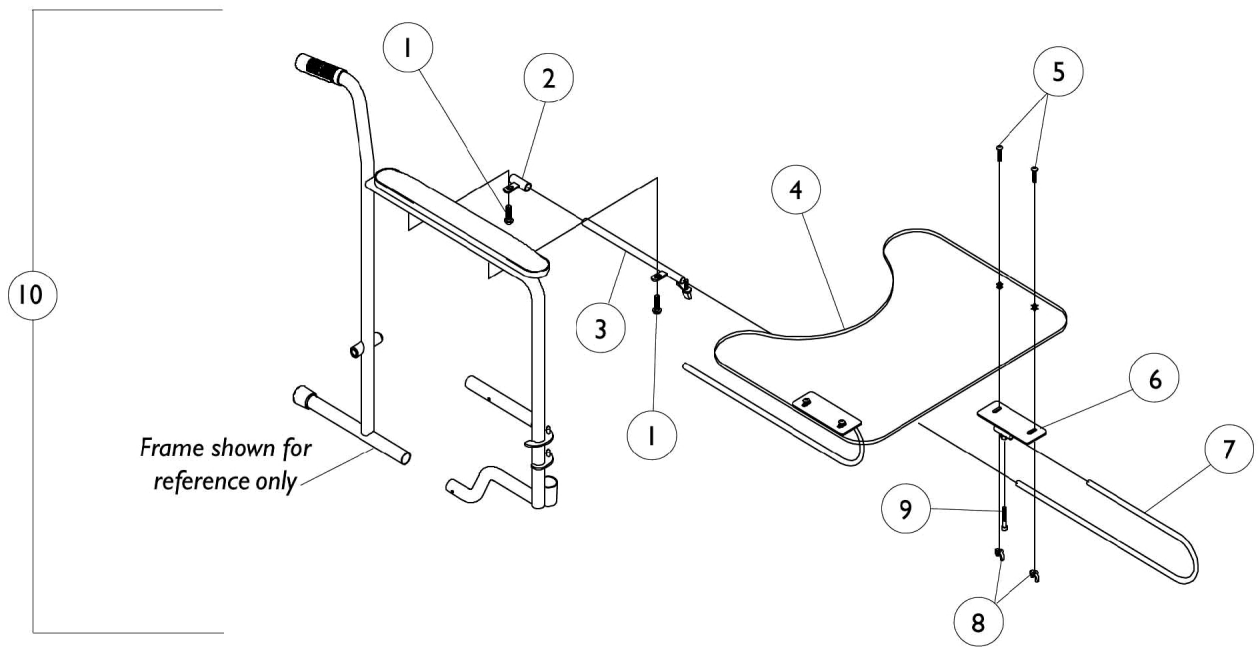


Utility Tray



Utility Tray

Item Number	Note	Part Number	Description	Quantity Per	
				Package	Assembly
1		11008X001-NLA	NLA - Screw, Phillips Pan Head (#10-32 x 1-3/8")	1	2
2		04570X002-NLA	NLA - Tube, Support, Slide, Chrome	1	2
3		04570X009-NLA	NLA - Tube, Slide Lock, Full Length Arm - Right	1	1
3		04570X010-NLA	NLA - Tube, Slide Lock, Full Length Arm - Left	1	1
3		04570X011-NLA	NLA - Tube, Slide Lock, Desk Length Arm - Right	1	1
3		04570X012-NLA	NLA - Tube, Slide Lock, Desk Length Arm - Left	1	1
4		47469X006-NLA	NLA - Tray	1	1
5		10123X006	Bolt, Carriage (1/4-20 x 3/4")	1	4
6		1009341-NLA	NLA - Bracket, Tray	1	2
7		1010922-NLA	NLA - Tube, Support	1	2
8		20148X004-NLA	NLA - Nut, Wing (1/4-20)	1	4
9		60284X001	Screw, Socket Head (1/4-20 x 1/2")	1	2
10	B	1035965-NLA	NLA - Tray, Utility, Full Length Arm	1	1
10	B	1035966-NLA	NLA - Tray, Utility, Desk Length Arm	1	1
	A	1011234	Wrench, Allen (3/16")	1	1
	A,C	1023704-NLA	NLA - Instruction Sheet	1	1

NOTE: A - Not Shown
 B - Includes Instruction Sheet
 C - Item is no longer available from the Invacare Service Parts Department. Refer to the Invacare Website under "Product Literature Search". Enter the part number in the "Keywords" field and download a free PDF version copy.