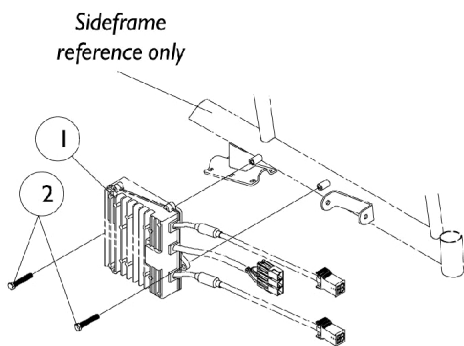
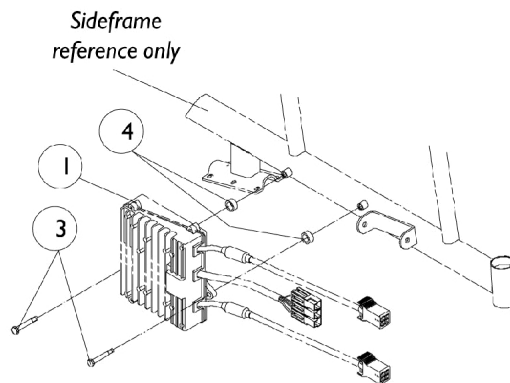


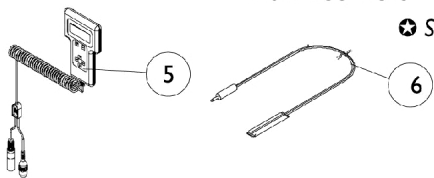
# MKIV Controller, Programmer and Attaching Hardware



**RII (⊕Standard) Recliner  
Before 5/15/99,  
RII (⊕Basic) Recliner and  
Non-Recliners**



**RII (⊕Standard) Recliner  
After 5/14/99**



⊕ Standard and basic refers to chair model

# MKIV Controller, Programmer and Attaching Hardware

| Item Number | Note | Part Number | Description  | Quantity Per |          |
|-------------|------|-------------|--|--------------|----------|
|             |      |             |  | Package      | Assembly |
| 1           |      | 1105707-NLA | NLA - Controller, MKIV Quad Pulse  | 1            | 1        |
| 1           | A,G  | 1095269-NLA | NLA - Controller, MKIV RII, Retro  | 1            | 1        |
| 2           |      | 1088897-NLA | NLA - Screw, Hex Head w/ Patch (1/4-20 x 1-1/4")   | 1            | 2        |
| 3           |      | 1088898-NLA | NLA - Screw, Hex Head w/ Patch (1/4-20 x 1-3/4")   | 1            | 2        |
| 4           |      | 1026102     | Spacer (5/16 x 15/32 x 1/4")   | 1            | 2        |
| 5           | B    | 1109091-NLA | NLA - Programmer, Remote   | 1            | 1        |
| 6           |      | 1020818     | Switch, Red Flex Ribbon (Tape) Reset   | 1            | 1        |
| 6           | H    | 1123276     | Kit, Switch, Black Egg Reset w/ Hook/Loop Adhesive Back Fastener & Attaching Screws (EGSBLK) | 1            | 1        |
|             | C    | 1064404-NLA | NLA - Virtual Service Modem Kit  | 1            | 1        |
|             | C,D  | 1095204-NLA | NLA - Cable, Virtual Service, Charger/Modem  | 1            | 1        |
|             | C    | 1091631-NLA | NLA - Virtual Service Software Kit   | 1            | 1        |
|             | C,E  | 1091980-NLA | NLA - Disk, 3.5 H.D. Floppy with V.S. Software   | 1            | 1        |
|             | C,E  | 1091637-NLA | NLA - Adaptor, Null Modem  | 1            | 1        |
|             | C,E  | 1091636-NLA | NLA - Service Manual - V.S. Software Kit   | 1            | 1        |
|             | C,E  | 1095204-NLA | NLA - Cable, Virtual Service, Charger/Modem  | 1            | 1        |
|             | C    | 1046117-NLA | NLA - Printer and Interface  | 1            | 1        |
|             | C,F  | 1026572-NLA | NLA - Paper, Printer   | 1            | 1        |
|             | C,F  | 1027280-NLA | NLA - Harness, Printer Wiring  | 1            | 1        |

NOTE: A - RII retro controller after 4/30/00 and RII joystick #1092610 are direct replacements for joystick/controller #1080723.  
 B - Remote Programmer #1109091 with the dual connectors (3-Pin and 5-Pin) is the only programmer functionable with the new RII joystick #1092610.  
 C - Not Shown  
 D - Part may be ordered individually or is included in the "Virtual Service Modem Kit."  
 E - Part may be ordered individually or is included in the "Virtual Service Software Kit."  
 F - Part may be ordered individually or is included in the "Printer and Interface."  
 G - After 4/30/00  
 H - Not Shown. After 5/23/04 the Egg Reset Switch became available as a service part and can be used as a direct replacement for the tape reset switch part # 1020818.