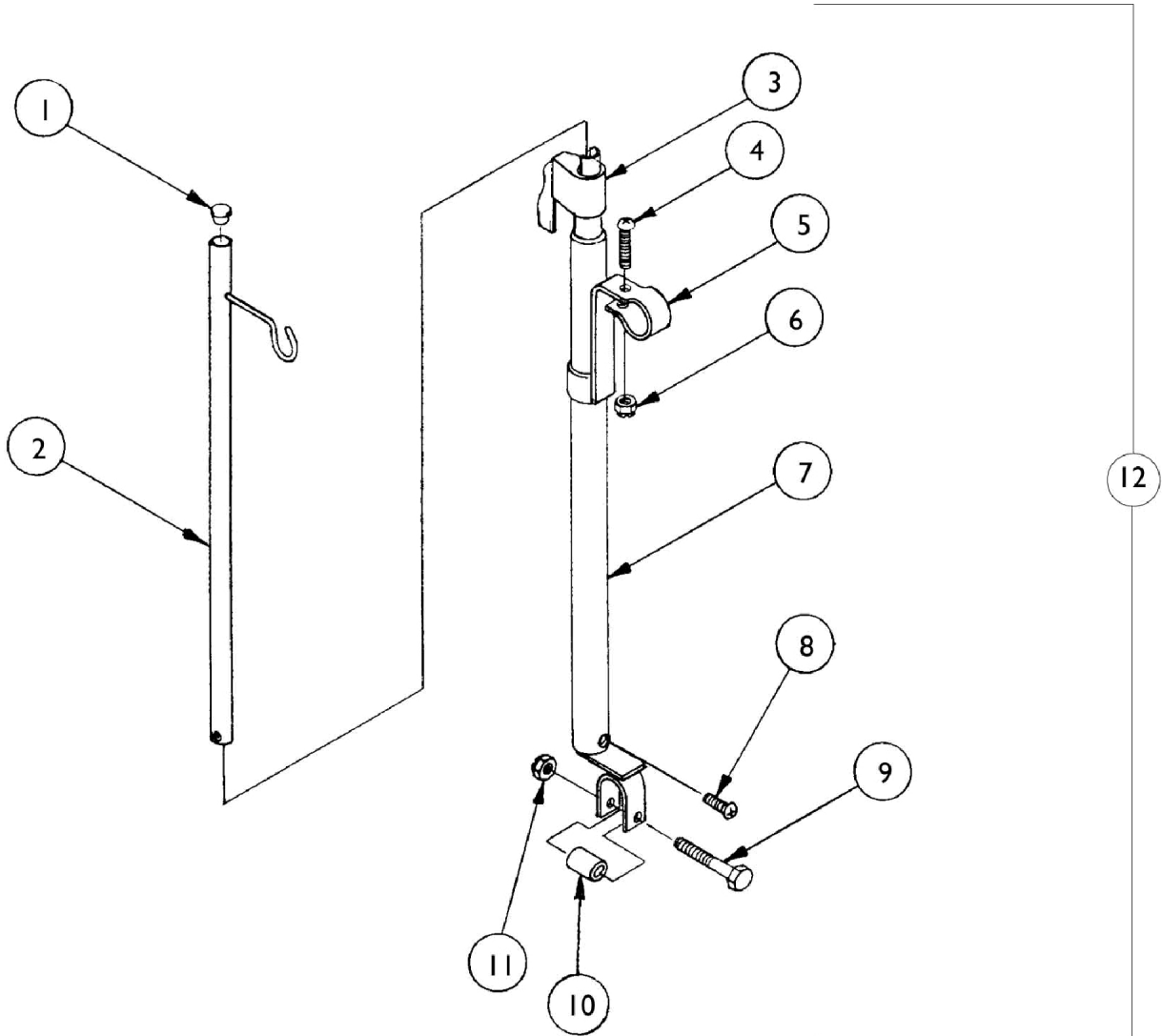


I.V. Rod (Non-Recliner)



I.V. Rod (Non-Recliner)

Item Number	Note	Part Number	Description	Quantity Per	
				Package	Assembly
1		1027095	Plug Button, Black (7/8")	1	1
2		04701X028	Rod, I.V.	1	1
3		12592X000-NLA	NLA - Adjustment Lock Assembly, Chrome	1	1
4		16718X000-NLA	NLA - Screw, Phillips Pan Head (#10-32 x 7/8")	1	1
5		1020082	Bracket, Mounting, Chrome	1	1
6		7930365-NLA	NLA - Locknut (#10-32)	25	1
7		1017623	Socket, I.V.	1	1
8		21243X000-NLA	NLA - Screw, Phillips Pan Head (#6-20 x 3/8")	1	1
9		11239X001	Screw, Hex Head (5/16-24 x 1-1/2")	1	1
10		1102577	Spacer, Black (5/16 x 11/16 x 15/16")	1	1
11		7930363-NLA	NLA - Package, Locknut (5/16"-24)	25	1
12	B	1036820-NLA	NLA - Rod, I.V.	1	1
	A	1083233	Instruction Sheet	1	1

NOTE: A - Not Shown
B - Includes Items 1-11 and Instruction Sheet