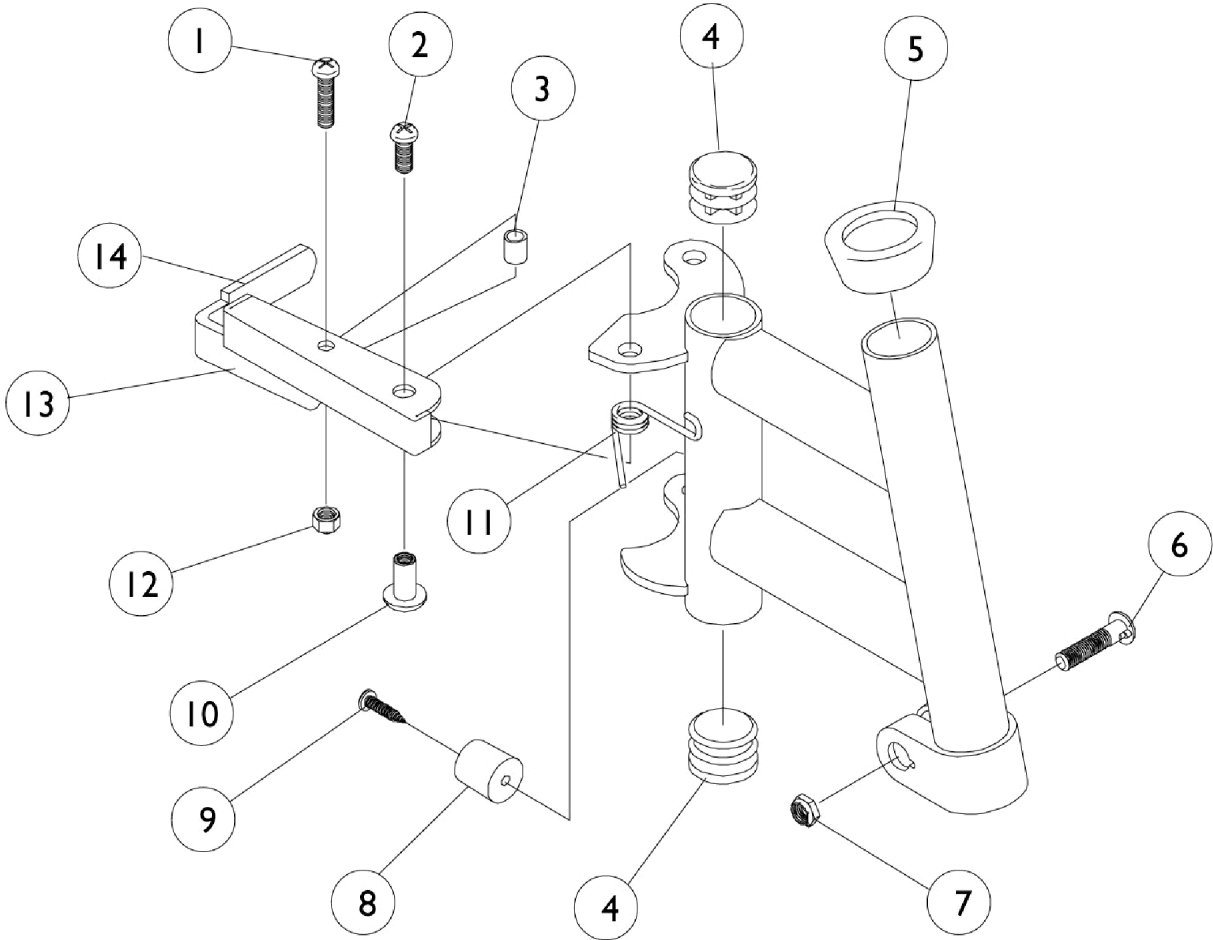


# P93E Supports



## P93E Supports

Item Number	Note	Part Number	Description	Quantity Per	
				Package	Assembly
1		40163X008	Screw, Phillips Pan Head (#10-32 x 11/16")	1	1
2		40163X002	Screw, Phillips Round Head (#10-32 x 1/2")	1	1
3		47565X057	Bushing (7/32 x 3/8 x 11/32")	1	1
4		1027095	Plug Button, Black (7/8")	1	1
5		15680X012	Collar, Anti-Rattle (7/8")	1	1
6		11232X009	Bolt, Lug (5/16-24 x 1-3/8")	1	1
7		1107321	Nut, Low Cap (5/16"-24)	1	1
8		1022874	Bumper	1	1
9		1030979	Screw, Phillips Pan Head Tap (#10-32 x 3/4")	1	1
10		67005X000	Rivnut (#10-32)	1	1
11		1008935	Spring, Release - Right	1	1
11		1008936	Spring, Release - Left	1	1
12		60279X003	Locknut (#10-32)	1	1
13		1023428-NLA	NLA - Handle, Release, Black- Right	1	1
13		1023431-NLA	NLA - Handle, Release, Black- Left	1	1
14	A	1006490	Tip, Plastic, Black	1	1
	B,C	8881037691-NL A	NLA - Footrest Support Assembly, Adult, Color - Right	1	1
	B,C	8881037692-NL A	NLA - Footrest Support Assembly, Adult, Color - Left	1	1
	C	1030994-NLA	NLA - Footrest Support Assembly, Adult, Chrome - Right	1	1
	C	1030995-NLA	NLA - Footrest Support Assembly, Adult, Chrome - Left	1	1

NOTE: A - Before 10/1/00 Only  
 B - Specify frame finish when ordering. See page titled "Frame Finishes, Touch-Up Paints and Upholstery Colors."  
 C - Not Shown