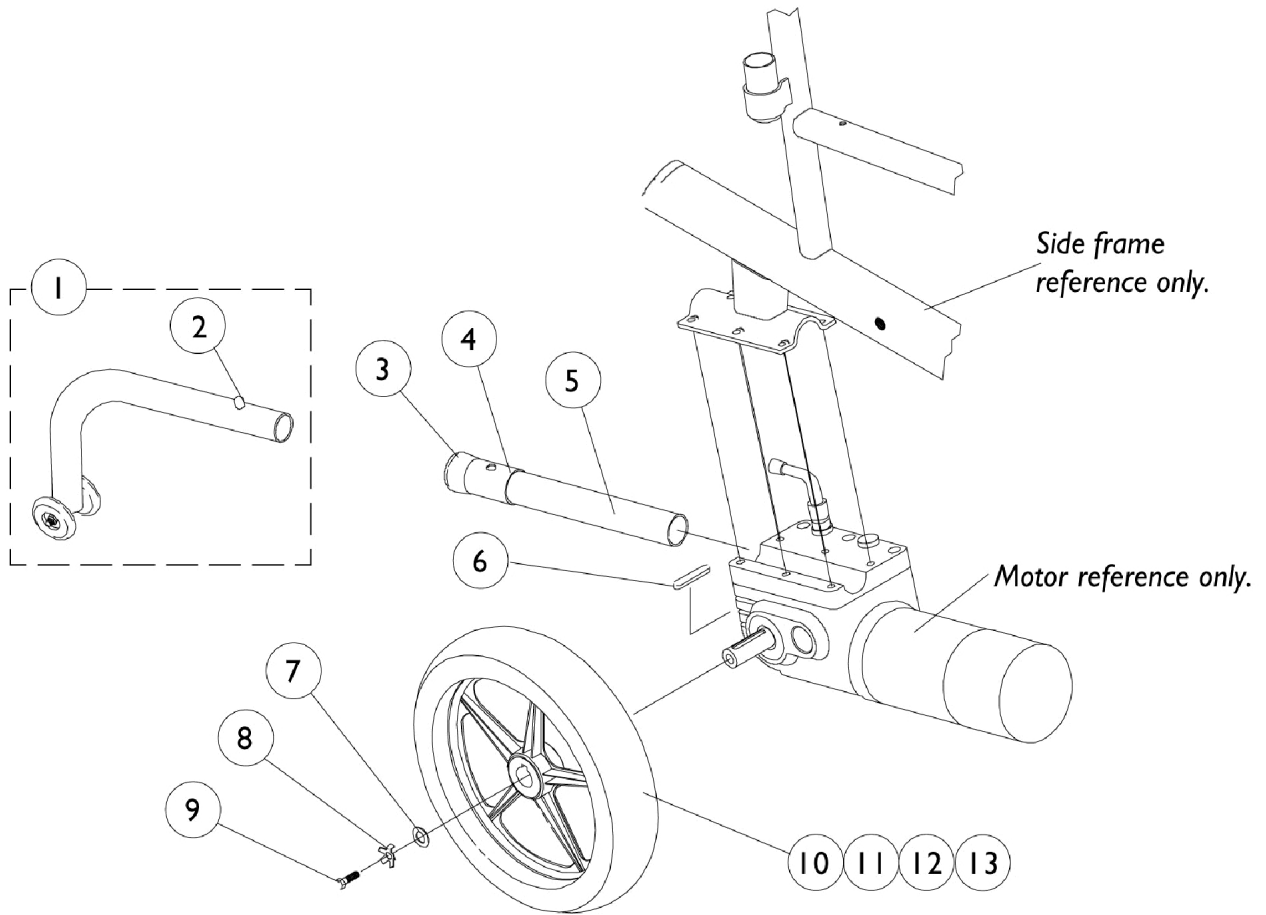


Rear Wheels and Anti-Tippers



Rear Wheels and Anti-Tippers

Item Number	Note	Part Number	Description	Quantity Per	
				Package	Assembly
1		1058824-NLA	NLA - Anti-Tipper	1	1
2		1025763	Spring, Torsion with Double Button	1	1
3		15680X013	Anti-Rattle (1")	1	1
4		1037900-NLA	NLA - Bushing, Anti-Wear	1	1
5		1057423-NLA	NLA - Tube, Support, Anti-Tipper, Black	1	1
6		1023264	Key (6mm x 6mm x 40mm)	1	1
7		1079247	Washer, Flat (21/64 x 53/64 x 7/64")	1	1
8		1064179	Kit, Locking Tab Washer w/ Instruction Sheet (Pair)	2	1
9		1023260	Screw (M8 x 1.25 x 20mm)	1	1
10		1064178-NLA	NLA - Drive Wheel Assembly, 5 Spoke, Pneumatic (12-1/2 x 2-1/4") Includes: Locking Tab Washer with Instruction Sheet	1	1
10		1064177	Drive Wheel Assembly, 5 Spoke w/ Foam Fill Insert (12-1/2 x 2-1/4") Includes: Locking Tab Washer with Instruction Sheet	1	1
11		1011524	Tire, Pneumatic, Grey (12-1/2" x 2-1/4")	1	1
12		1011525	Tube, Inner, Black (12-1/2 x 2-1/4")	1	1
12	A	1073936-NLA	NLA - Insert, Flat Free	1	1
13		1064176-NLA	NLA - Rim with Locking Tab	1	1

NOTE: A - As of 10/20/99 the "Solid" Flat Free Insert was replaced by a "Foam Fill" process. When a Flat Free Insert is requested, a complete wheel must be ordered.