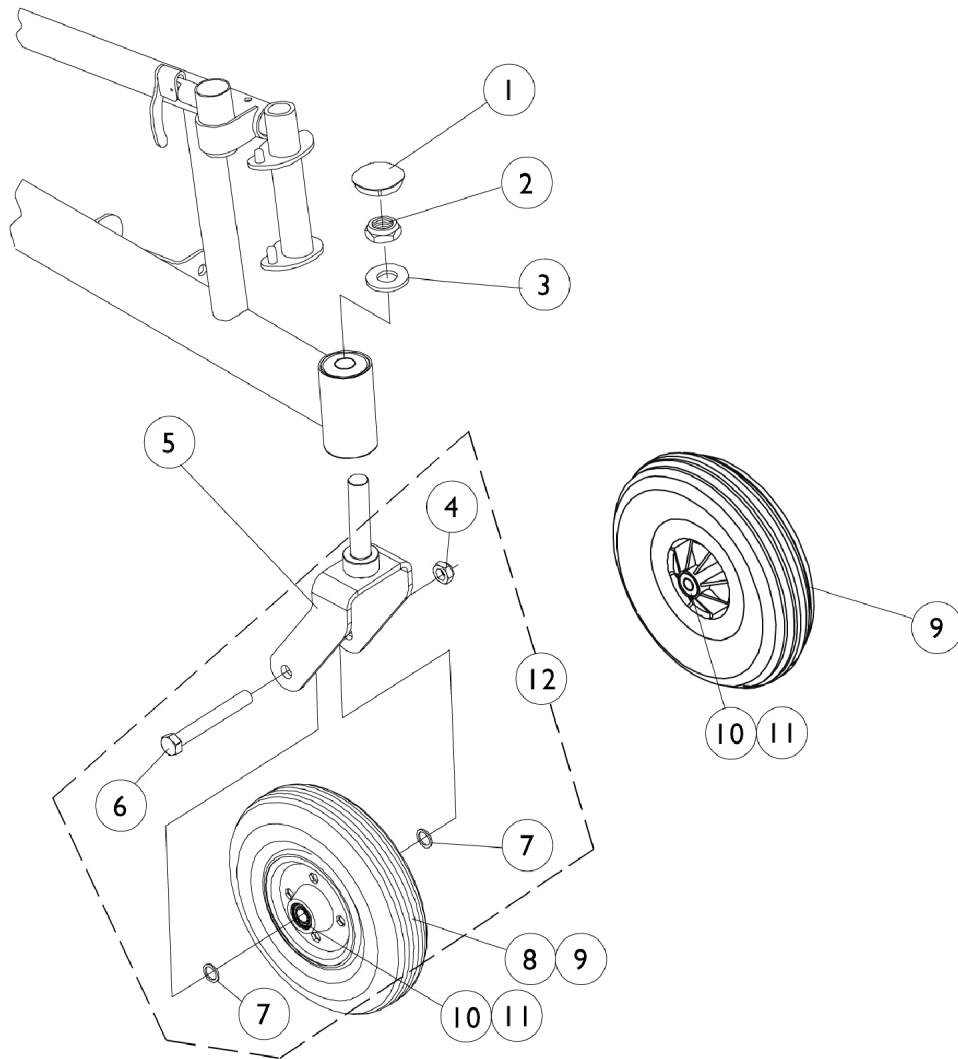


# Casters and Forks



## Casters and Forks

Item Number	Note	Part Number	Description	Quantity Per	
				Package	Assembly
1		1056739	Plug Button, Head Tube, Black	1	1
2		1028550	Locknut (5/8-18)	1	1
3		1041444	Washer, Nylon (5/8 x 1-5/16 x 1/8")	1	1
4		1025734	Locknut (7/16-20)	1	1
5		1058556-NLA	NLA - Fork and Stem (8" Caster)	1	1
5	A	8881058562-NL A	NLA - Fork, Caster, Standard (8")	1	1
6		1025726	Screw, Hex Head (7/16-20 x 3-1/4")	1	1
7		1025724	Washer, Steel (15/32 x 5/8 x 3/64")	1	1
8	D	1006058-NLA	NLA - Caster, Semi Pneumatic (8")	1	1
8	E	1068311-NLA	NLA - Caster, Semi Pneumatic, Charcoal (8")	1	1
8	F	1070811	Wheel Assembly, Semi-Pneumatic, Urethane, Light Grey (8" x 1-3/4")	1	1
9	B	1002002	Wheel Assembly w/ Bearings, Pneumatic (8" x 2")	1	1
10		1006049	Bearing (7/16")	1	2
11		1020592	Spacer, Bearing (7/16 x 5/8 x 1-3/4")	1	1
12	C	1042489	Hardware, Caster Axle	1	1

NOTE: A - Specify frame finish when ordering. See page titled "Frame Finishes, Touch-Up Paints and Upholstery Colors."  
 B - Includes Items 10 and 11  
 C - Includes Items 4, 6, and 7 to accommodate 1 side only.  
 D - Before 1/15/97  
 E - After 1/15/97  
 F - After 6/8/97