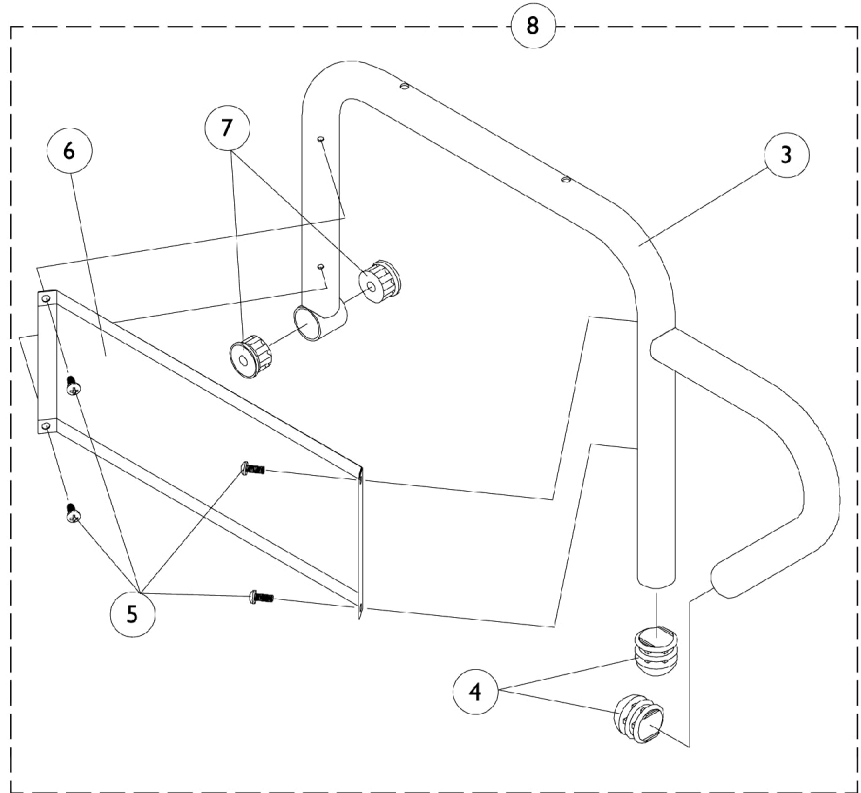
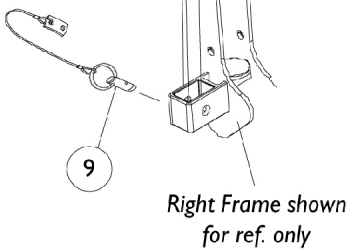
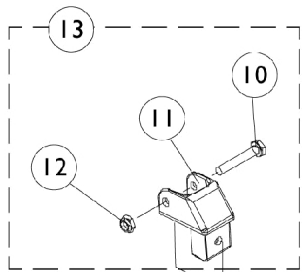
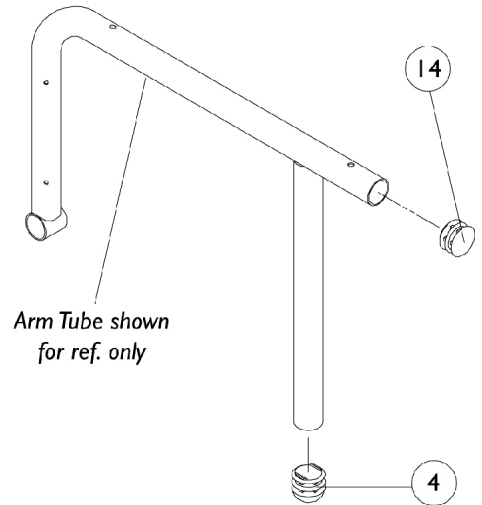
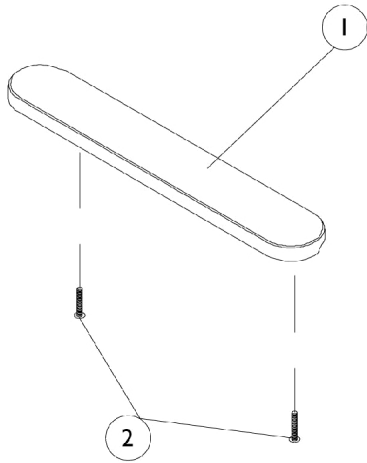


Fixed Height Removable Arms Non-Reclining (After 9/30/00)



Fixed Height Removable Arms Non-Reclining (After 9/30/00)

Item Number	Note	Part Number	Description	Quantity Per	
				Package	Assembly
1	A	8881015932-NL A	NLA - Pad, Arm, Vinyl, Full Length - Right (14" L x 2" W)	1	1
1	A	8881015933-NL A	NLA - Pad, Arm, Vinyl, Full Length - Left (14" L x 2" W)	1	1
1	C,E	1117328	Kit, Arm Pad w/ Screws, Full Length, Urethane Waterfall, Black (13" L x 2-5/8" W)	1	1
1		1110818	Kit, Arm Pad w/ Screws, Full Length, Urethane Waterfall, Black (13" L x 2-5/8" W) (Pair)	2	1
1	A	8881011811-NL A	NLA - Pad, Arm, Vinyl, Desk Length (9" L x 2" W)	1	1
1	C,E	1117327	Kit, Arm Pad w/ Screws, Desk Length, Urethane Waterfall, Black (9" L x 2-5/8" W)	1	1
1		1110817	Kit, Arm Pad w/ Screws, Desk Length, Urethane Waterfall, Black (9" L x 2-5/8" W) (Pair)	2	1
2		1055949	Package, Screw, Phillips Pan Head (#10-32 x 1-3/8")	2	1
2		1094270-NLA	NLA - Package, Screw, Phillips Pan Head (#10-32 x 1-1/4")	2	1
3	B	8881071517-NL A	NLA - Tube, Arm, Full Length, Color - Right	1	1
3	B	8881071518-NL A	NLA - Tube, Arm, Full Length, Color - Left	1	1
3	B	8881071519-NL A	NLA - Tube, Arm, Desk Length, Color - Right	1	1
3	B	8881071520-NL A	NLA - Tube, Arm, Desk Length, Color - Left	1	1
4		1067734	Plug Button, Black (5/8")	1	2
5		1025729	Screw, Phillips Pan Head Tap (#8-32 x 3/8")	1	4
6		1035472-NLA	NLA - Guard, Clothing, Desk Length	1	1
7		1065936	Plug, Pivot	1	2
8	B	8881071550-NL A	NLA - Arm Assembly, Full Length, Color - Right	1	1
8	B	8881071551-NL A	NLA - Arm Assembly, Full Length, Color - Left	1	1
8	B	8881071552-NL A	NLA - Arm Assembly, Desk Length, Color - Right	1	1
8	B	8881071553-NL A	NLA - Arm Assembly, Desk Length, Color - Left	1	1
9		1068039	Pin, Pull	1	1
10		1019590	Screw, Socket Button Head (1/4-20 x 1-5/8")	1	1
11		1068025	Clevis, Pivot	1	1
12		1025195	Locknut (1/4-20)	1	1
13	D	1090277-NLA	NLA - Hardware, Mounting, Swingaway Armrest	1	1
14		1027095	Plug Button, Black (7/8")	1	1

Fixed Height Removable Arms Non-Reclining (After 9/30/00)

NOTE: A - Specify upholstery color when ordering. See page titled "Frame Finishes, Touch-Up Paints and Upholstery Colors."
B - Specify frame finish when ordering. See page titled "Frame Finishes, Touch-Up Paints and Upholstery Colors."
C - As of 1/3/02 upholstered waterfall armpads were replaced with black urethane waterfall armpads. Order in pairs with screws for chairs manufactured before 1/3/02.
D - Includes Items 10-12.
E - After 7/9/07 Invacare recommends ordering armpads in pairs to assure uniform appearance on chair