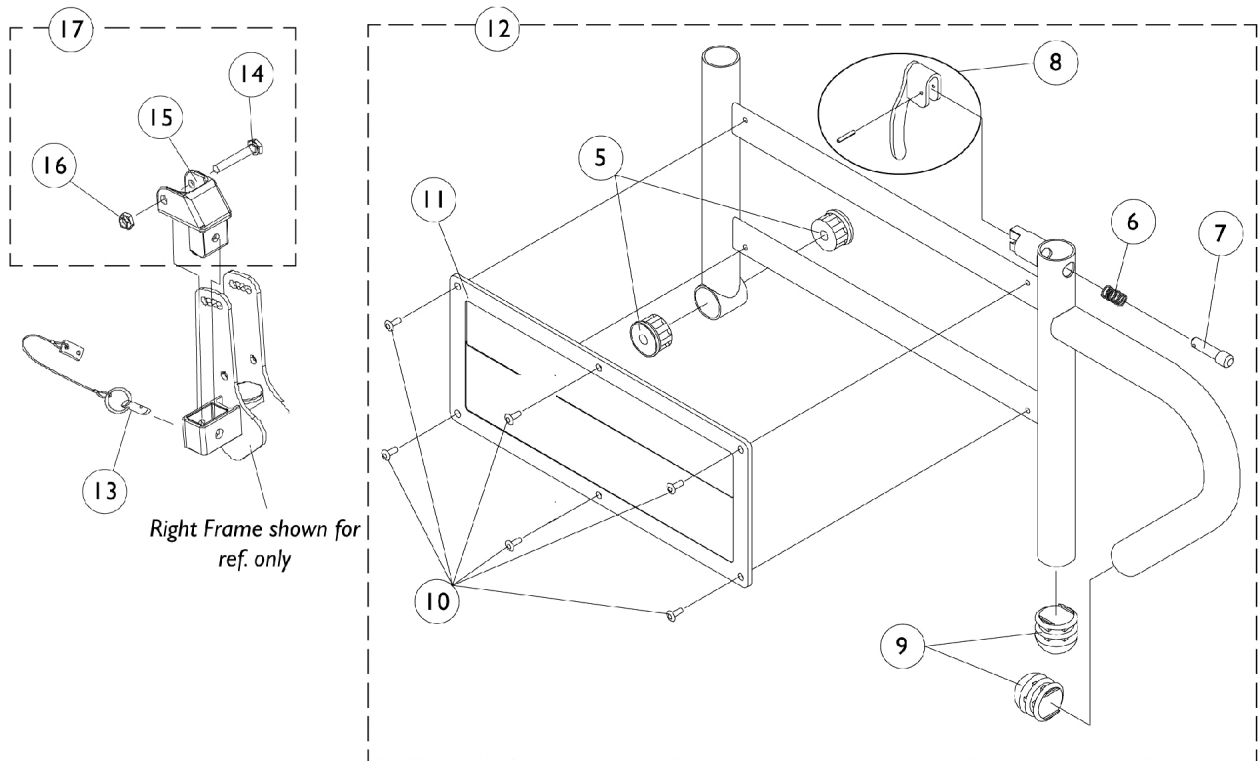
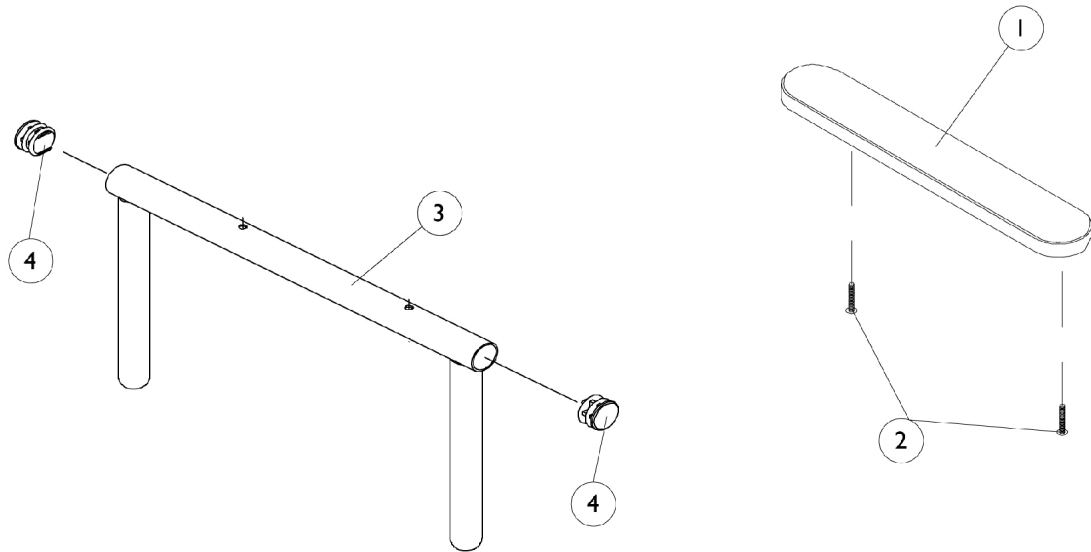


# Adjustable Height Removable Arms Non-Reclining (After 9/30/00)



## Adjustable Height Removable Arms Non-Reclining (After 9/30/00)

Item Number	Note	Part Number	Description	Quantity Per	
				Package	Assembly
1	A	8881015932-NL A	NLA - Pad, Arm, Vinyl, Full Length - Right (14" L x 2" W)	1	1
1	A	8881015933-NL A	NLA - Pad, Arm, Vinyl, Full Length - Left (14" L x 2" W)	1	1
1	B,F	1117328	Kit, Arm Pad w/ Screws, Full Length, Urethane Waterfall, Black (13" L x 2-5/8" W)	1	1
1		1110818	Kit, Arm Pad w/ Screws, Full Length, Urethane Waterfall, Black (13" L x 2-5/8" W) (Pair)	2	1
1	A	8881011811-NL A	NLA - Pad, Arm, Vinyl, Desk Length (9" L x 2" W)	1	1
1	B,F	1117327	Kit, Arm Pad w/ Screws, Desk Length, Urethane Waterfall, Black (9" L x 2-5/8" W)	1	1
1		1110817	Kit, Arm Pad w/ Screws, Desk Length, Urethane Waterfall, Black (9" L x 2-5/8" W) (Pair)	2	1
2		1055949	Package, Screw, Phillips Pan Head (#10-32 x 1-3/8")	2	1
2	E	1094270-NLA	NLA - Package, Screw, Phillips Pan Head (#10-32 x 1-1/4")	2	1
3		1071253	Arm Tube Assembly w/ Plug Buttons, Full Length, Black - Right/Left	1	1
3		1070859	Arm Tube Assembly w/ Plug Buttons, Desk Length, Black - Right/Left	1	1
4		1027095	Plug Button, Black (7/8")	1	2
5		1065936	Plug, Pivot	1	2
6		47471X074	Spring, Arm Lock	1	1
7		1028594	Pin, Arm Lock, Black	1	1
8		1090768	Kit, Lock Handle w/Rivets (Pair)	2	1
9		1067734	Plug Button, Black (5/8")	1	2
10		1028645	Rivet	1	6
11		1064130-NLA	NLA - Guard, Clothing	1	1
12	C	8881071554-NL A	NLA - Arm Base, Adjustable Height, Color - Right	1	1
12	C	8881071555-NL A	NLA - Arm Base, Adjustable Height, Color - Left	1	1
13		1068039	Pin, Pull	1	1
14		1019590	Screw, Socket Button Head (1/4-20 x 1-5/8")	1	1
15		1068025	Clevis, Pivot	1	1
16		1025195	Locknut (1/4-20)	1	1
17	D	1090277-NLA	NLA - Hardware, Mounting, Swingaway Armrest	1	1

NOTE: A - Specify upholstery color when ordering. See page titled "Frame Finishes, Touch-Up Paints and Upholstery Colors."  
B - As of 1/3/02 upholstered waterfall armpads were replaced with black urethane waterfall armpads. Order in pairs with screws for chairs manufactured before 1/3/02.  
C - Specify frame finish when ordering. See page titled "Frame Finishes, Touch-Up Paints and Upholstery Colors."  
D - Includes items 14-16.  
E - For urethane waterfall armpads only  
F - After 7/9/07 Invacare recommends ordering armpads in pairs to assure uniform appearance on chair