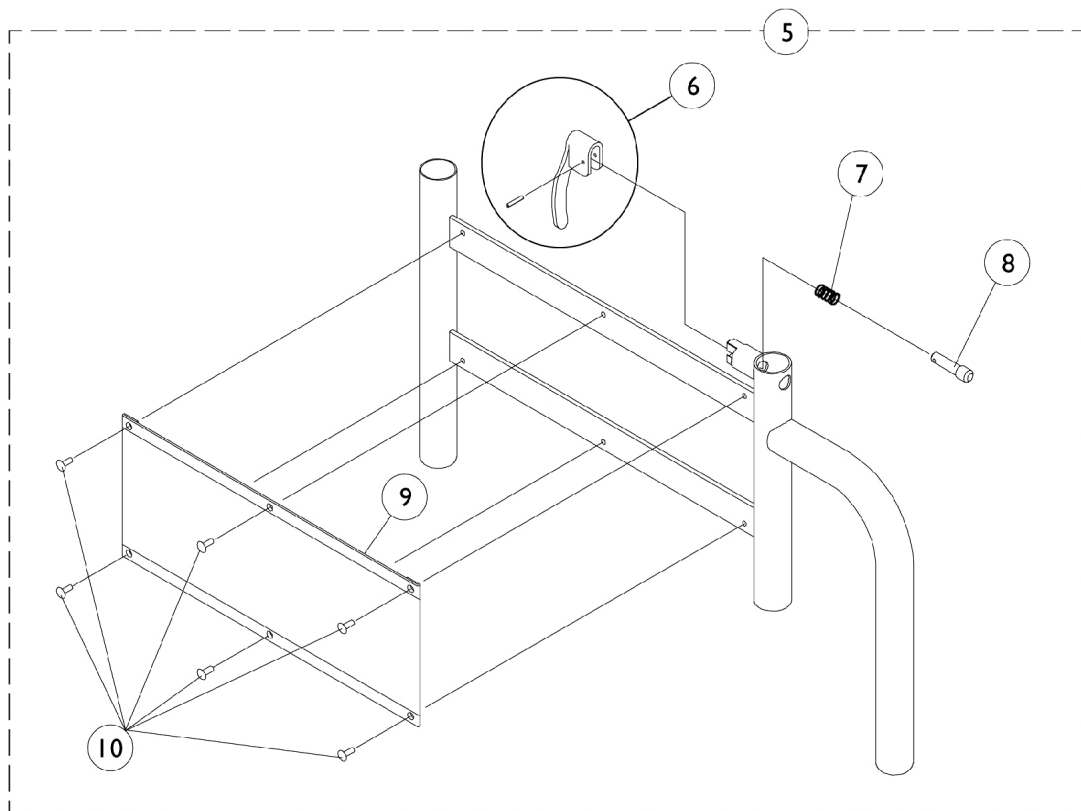
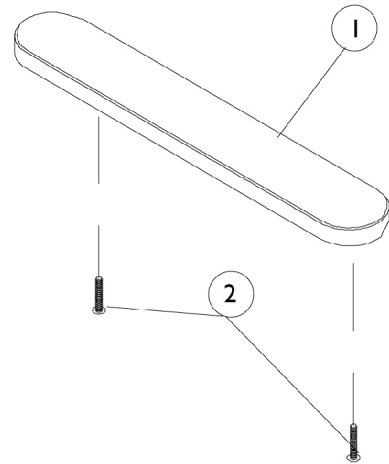
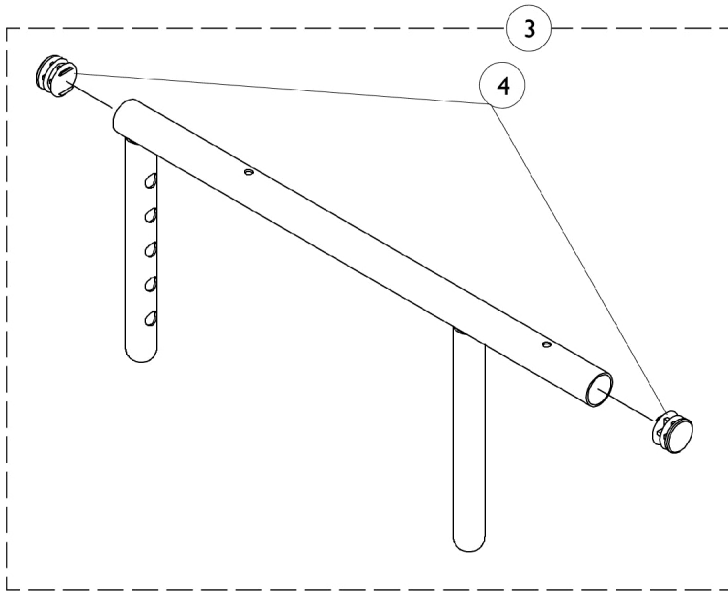


Adjustable Height, Removable Arms Non-Reclining (Before 10/1/00 and All Recliners)



Adjustable Height, Removable Arms Non-Reclining (Before 10/1/00 and All Recliners)

Item Number	Note	Part Number	Description	Quantity Per	
				Package	Assembly
1	A	8881015932-NL A	NLA - Pad, Arm, Vinyl, Full Length - Right (14" L x 2" W)	1	1
1	A	8881015933-NL A	NLA - Pad, Arm, Vinyl, Full Length - Left (14" L x 2" W)	1	1
1	A	8881011811-NL A	NLA - Pad, Arm, Vinyl, Desk Length (9" L x 2" W)	1	1
2		1055949	Package, Screw, Phillips Pan Head (#10-32 x 1-3/8")	2	1
3		1041522	Arm Tube Assembly w/ Plug Buttons, Full Length, Black - Right/Left	1	1
3		1070859	Arm Tube Assembly w/ Plug Buttons, Desk Length, Black - Right/Left	1	1
3		1057736-NLA	NLA - Tube, Arm, Upper with Plug Buttons, Chrome, Full Length	1	1
3		1057734	Tube, Arm, Upper with Plug Buttons, Black, Desk Length	1	1
4		1027095	Plug Button, Black (7/8")	1	2
5	B,C	8881057741-NL A	NLA - Arm Base, Adjustable Height, Color - Right	1	1
5	B,C	8881057742-NL A	NLA - Arm Base, Adjustable Height, Color - Left	1	1
5	C	1057743-NLA	NLA - Arm Base, Adjustable Height, Chrome - Right	1	1
5	C	1057744-NLA	NLA - Arm Base, Adjustable Height, Chrome - Left	1	1
6		1090768	Kit, Lock Handle w/Rivets (Pair)	2	1
7		47471X074	Spring, Arm Lock	1	1
8		1028594	Pin, Arm Lock, Black	1	1
9	C	1064130-NLA	NLA - Guard, Clothing	1	1
10		1028645	Rivet	1	6

NOTE: A - Specify upholstery color when ordering. See page titled "Frame Finishes, Touch-Up Paints and Upholstery Colors."
B - Specify frame finish when ordering. See page titled "Frame Finishes, Touch-Up Paints and Upholstery Colors."
C - Stainless steel clothing guards were replaced with ABS plastic. Chairs manufactured before 7/30/97 should be ordered in pairs.