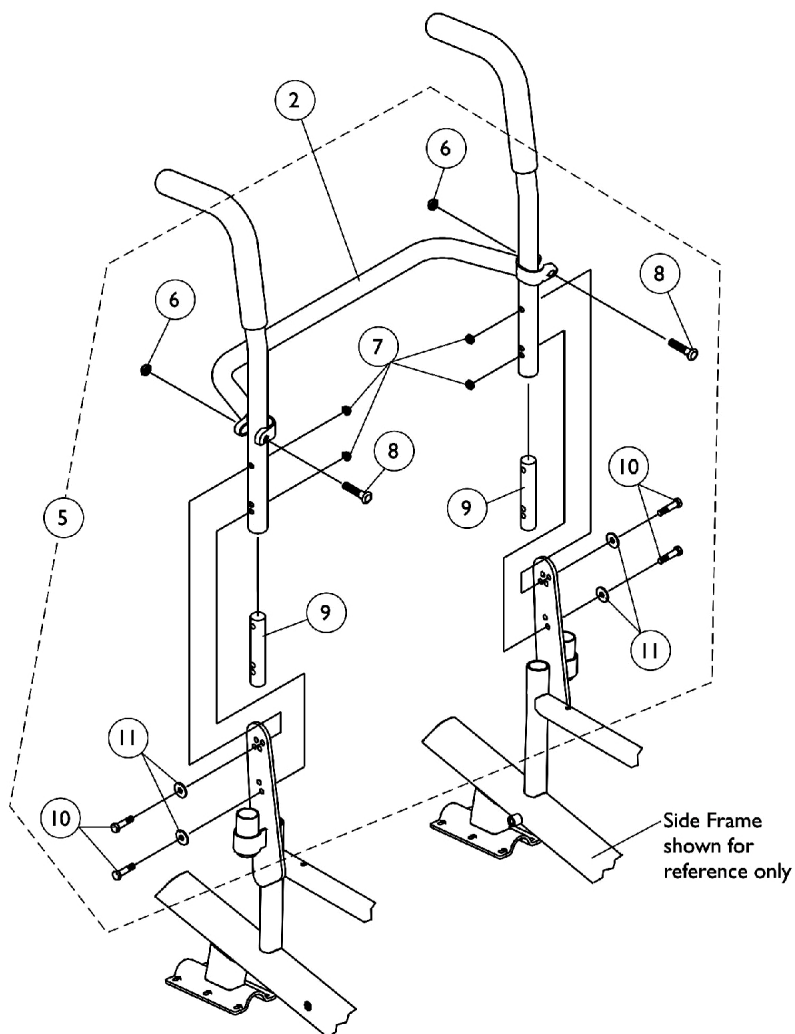
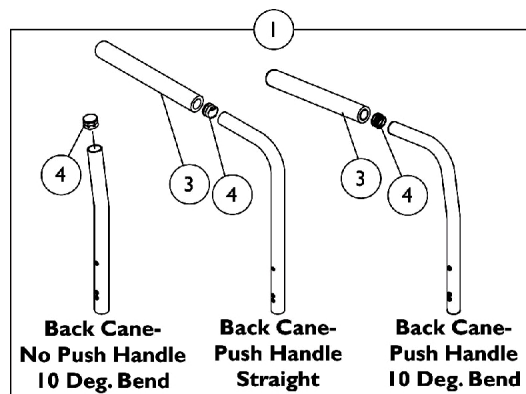


Back Canes and Attaching Hardware (Before 10/1/00)



Back Canes and Attaching Hardware (Before 10/1/00)

Item Number	Note	Part Number	Description	Quantity Per	
				Package	Assembly
1		See Chart	#1 Back Cane Assemblies	1	2
2		See Chart	#2 Spreader Bar	1	1
3		1135506	Package, Foam Hand Grip (9" L)	10	1
4		1130582	Package, Plug Button, Black (7/8")	10	1
5	A	1059389	Kit, Back Cane Attaching Hardware	2	1
6			Locknut (5/16-24)	1	2
7			Locknut (1/4-20)	1	4
8			Screw w/ Lug (5/16-24 x 1-3/8")	1	2
9			Insert, Non-Threaded Back Cane (For Back Heights 20" and Lower)	1	2
10			Screw, Hex Head (1/4-20 x 1-1/2")	1	4
11			Washer (1/4 x 23/32 x 1/16")	1	4

NOTE: A - Includes Items 6-11

Back Canes and Attaching Hardware (Before 10/1/00)

#1 Back Cane Assemblies

Back Height	Back Cane- No Push Handle 10 Deg. Bend	Back Cane- Push Handle Straight	Back Cane- Push Handle 10 Deg. Bend
16"	1048992-NLA	1048558	1045575
17"	1048993-NLA	1048559	1045576
18"	1048994-NLA	1048560	1045577
19"	1048995-NLA	1048561	1045578
20"	1048996-NLA	1048562	1045579-NLA

NOTE: Back Cane Assemblies include Foam Grips and Plug Buttons where shown

#2 Spreader Bar

Chair Width	Part Number
14"	1043871-NLA
16"	1043873
18"	1043875
20"	1043877