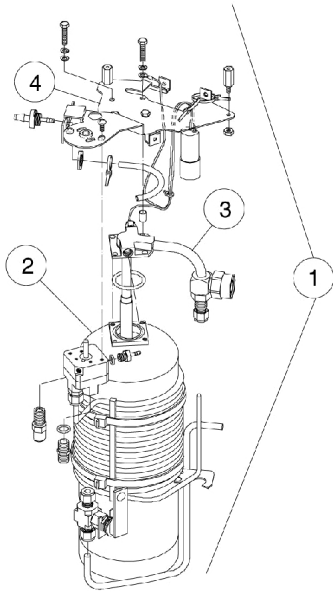
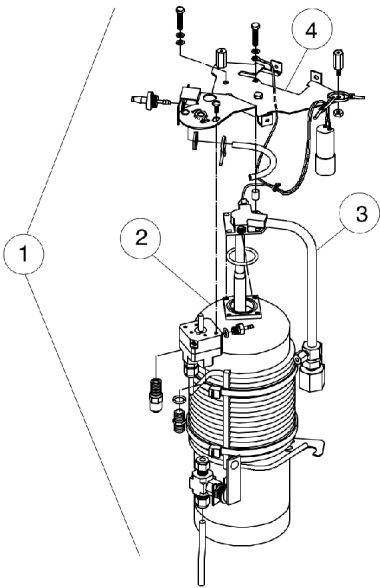


# System Neutral, Continuous, Portable

1 and 1.2 Liter Standard, Low and High Flows



## System Neutral, Continuous, Portable 1 and 1.2 Liter Standard, Low and High Flows

Item Number	Note	Part Number	Description	Quantity Per	
				Package	Assembly
1	A,B	110010M-NLA	NLA - System Neutral - Standard 0-6 LPM	1	1
1	A,B	120001M-NLA	NLA - System Neutral - Standard 0-6 LPM	1	1
1	A,C	110011M-NLA	NLA - System Neutral - Standard 0-6 LPM	1	1
1	A,C	120007M-NLA	NLA - System Neutral - Standard 0-6 LPM	1	1
1	A,D	110009M-NLA	NLA - System Neutral - Standard 0-6 LPM	1	1
1	A,D	120004M-NLA	NLA - System Neutral - Standard 0-6 LPM	1	1
1	A,B	110013M-NLA	NLA - System Neutral - Low 0-2.5 LPM	1	1
1	A,B	120002M-NLA	NLA - System Neutral - Low 0-2.5 LPM	1	1
1	A,C	110017M-NLA	NLA - System Neutral - Low 0-2.5 LPM	1	1
1	A,C	120008M-NLA	NLA - System Neutral - Low 0-2.5 LPM	1	1
1	A,D	110015M-NLA	NLA - System Neutral - Low 0-2.5 LPM	1	1
1	A,D	120005M-NLA	NLA - System Neutral - Low 0-2.5 LPM	1	1
1	A,B	110014M-NLA	NLA - System Neutral - High 0-15 LPM	1	1
1	A,B	120003M-NLA	NLA - System Neutral - High 0-15 LPM	1	1
1	A,C	110018M-NLA	NLA - System Neutral - High 0-15 LPM	1	1
1	A,C	120009M-NLA	NLA - System Neutral - High 0-15 LPM	1	1
1	A,D	110016M-NLA	NLA - System Neutral - High 0-15 LPM	1	1
1	A,D	120006M-NLA	NLA - System Neutral - High 0-15 LPM	1	1
2	E	110012M-NLA	NLA - Dewar	1	1
2	E	220016M-NLA	NLA - Dewar	1	1
2	E	110019M-NLA	NLA - Dewar	1	1
3	B	210019M-NLA	NLA - Manifold	1	1
3	B	220009M-NLA	NLA - Manifold	1	1
3	C	210066M-NLA	NLA - Manifold	1	1
3	C	220010M-NLA	NLA - Manifold	1	1
4		210023M-NLA	NLA - Plate, Warming	1	1
4		120010M-NLA	NLA - Plate, Warming	1	1

NOTE: A - Does not include Posi-Lok Quick Disconnect Coupler  
B - All models except Cryo Associates and Linde  
C - Cryogenic Associates (Caire)  
D - Linde (Mark)  
E - All Models