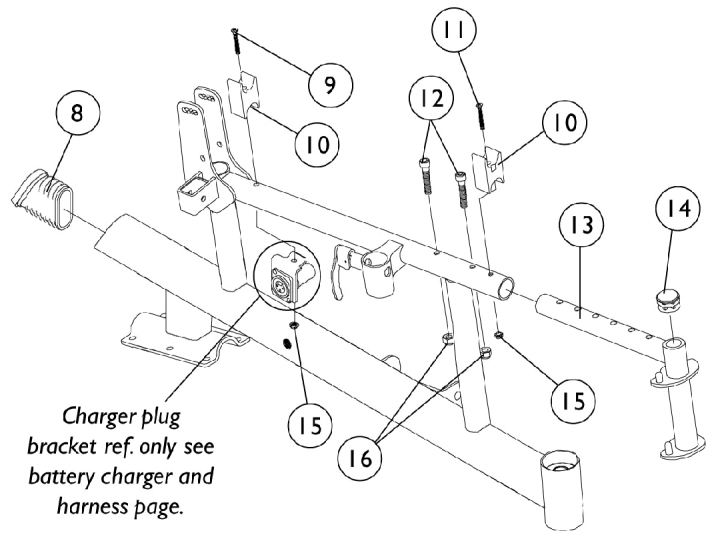
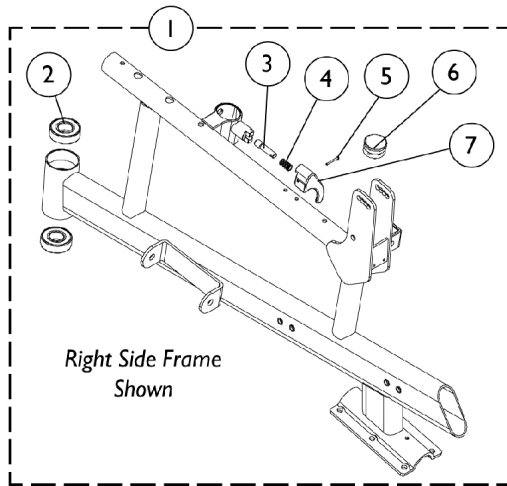


# Side Frames and Hardware (After 9/30/00)



# Side Frames and Hardware (After 9/30/00)

## Item # 1 - Side Frames and Hardware

Frame Type	Non-Recliner	Recliner
Adult - Right	8881101699-NLA See Note(s) B, A	8881062457-NLA See Note(s) B, A
Adult - Left	8881101700 See Note(s) A, B	8881062458-NLA See Note(s) B, A
Hemi - Right	8881101701 See Note(s) B, A	8881062459-NLA See Note(s) B, A
Hemi - Left	8881101702 See Note(s) A, B	8881062460-NLA See Note(s) A, B

NOTE: A - Specify frame finish when ordering. See page titled "Frame Finishes, Touch-Up Paints and Upholstery Colors."  
B - Decals not included with frame. See page titled "Packaging, Literature and Decals."

Item Number	Note	Part Number	Description	Quantity Per	
				Package	Assembly
1	A	See Chart	Item # 1 Side Frames and Hardware	1	1
2		40117X006	Bearing (5/8")	1	2
3		1028594	Pin, Arm Lock, Black	1	1
4		47471X074	Spring, Arm Lock	1	1
5		1089723	Rivet, Tubular	1	1
6		1029501	Plug Button, Black (1")	1	1
7		1090768	Kit, Lock Handle w/Rivets (Pair)	2	1
8		1059371-NLA	NLA - Cap, End, Oval	1	1
9		1085124-NLA	NLA - Screw, Socket Flat Head (#10-32 x 1-3/4")	1	2
10		1007541	Clamp, Seat	1	2
11		1085134-NLA	NLA - Screw, Socket Flat Head (#10-32 x 1-5/8")	1	2
12		1003545	Screw, Socket Head (1/4-20 x 1-1/4")	1	2
13		1060099-NLA	NLA - Hanger, Front Rigging, Black - Right	1	1
13		1060100-NLA	NLA - Hanger, Front Rigging, Black - Left	1	1
14		1027097	Plug Button, Black (3/4")	1	1
15		1025731	Locknut (#10-32)	1	2
16		1025736	Locknut (1/4-20)	1	2

NOTE: A - Includes items 2-7