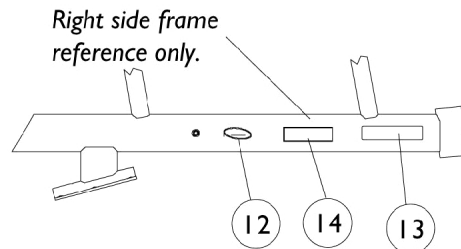
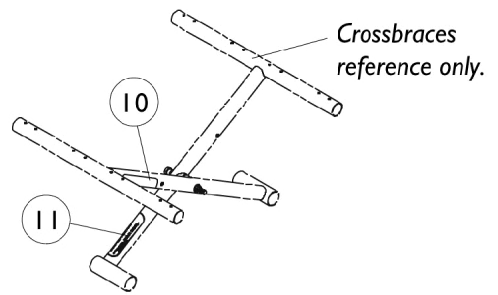
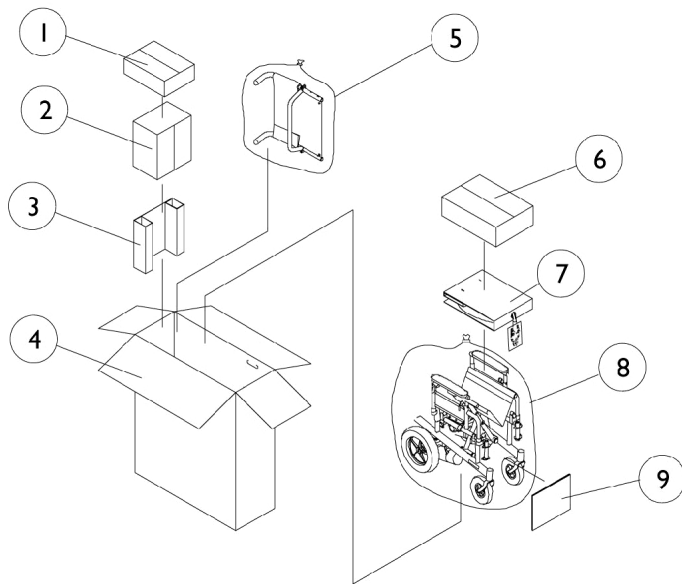


Packaging, Literature and Decals

NOTE: When adjusting or replacing parts, please refer to your Owner's Manual for assistance.



Packaging, Literature and Decals

NOTE: When adjusting or replacing parts, please refer to your Owner's Manual for assistance.

| Item Number | Note | Part Number | Description | Quantity Per | |
|-------------|------|---------------|---|--------------|----------|
| | | | | Package | Assembly |
| 1 | | 40131X148-NLA | NLA - Carton, Hardware | 1 | 1 |
| 2 | | 1023167-NLA | NLA - Carton, Battery Boxes | 1 | 1 |
| 3 | | 1023166-NLA | NLA - Insert | 1 | 1 |
| 4 | | 1074355-NLA | NLA - Carton | 1 | 1 |
| 5 | | 1015592 | Bag, Poly (72" L x 35" W x 19" D) | 1 | 1 |
| 6 | | 40131X011-NLA | NLA - Carton, Front Riggings | 1 | 1 |
| 7 | | 1023165-NLA | NLA - Insert, Carton | 1 | 1 |
| 8 | | 1021866-NLA | NLA - Bag, Poly (26" L x 15" W) | 1 | 1 |
| 9 | | 40131X039-NLA | NLA - Insert, Carton | 1 | 1 |
| 10 | | 1035900 | Decal, Transportation | 1 | 1 |
| 11 | | 1119281-NLA | NLA - Plate, Name, Patent Numbers | 1 | 1 |
| 12 | C | 1090146-NLA | NLA - Decal, Invacare 3-D Logo (1-19/32" L) | 1 | 2 |
| 13 | B,C | 1095224-NLA | NLA - Decal, Model, Black - Ranger II | 1 | 2 |
| 13 | C | 1095225-NLA | NLA - Decal, Model, White - Ranger II | 1 | 2 |
| 14 | | 1097104-NLA | NLA - Decal - 250-S | 1 | 2 |
| | A | 1028343 | Operating Instructions, MKIV | 1 | 1 |
| | A,D | 1095272-NLA | NLA - Instruction Manual, MKIV RII | 1 | 1 |
| | A | 1058610-NLA | NLA - Owner's Manual | 1 | 1 |

NOTE: A - Not Shown
 B - Used for chairs with frame colors 02P, 29P, 30P and 84P only.
 C - Invacare logo added and model decals changed 1/11/00. When replacing side frames before 1/11/00 order decals in pairs to match.
 D - Item is no longer available from the Invacare Service Parts Department. Refer to the Invacare Website under "Product Literature Search". Enter the part number in the "Keywords" field and download a free PDF version copy.