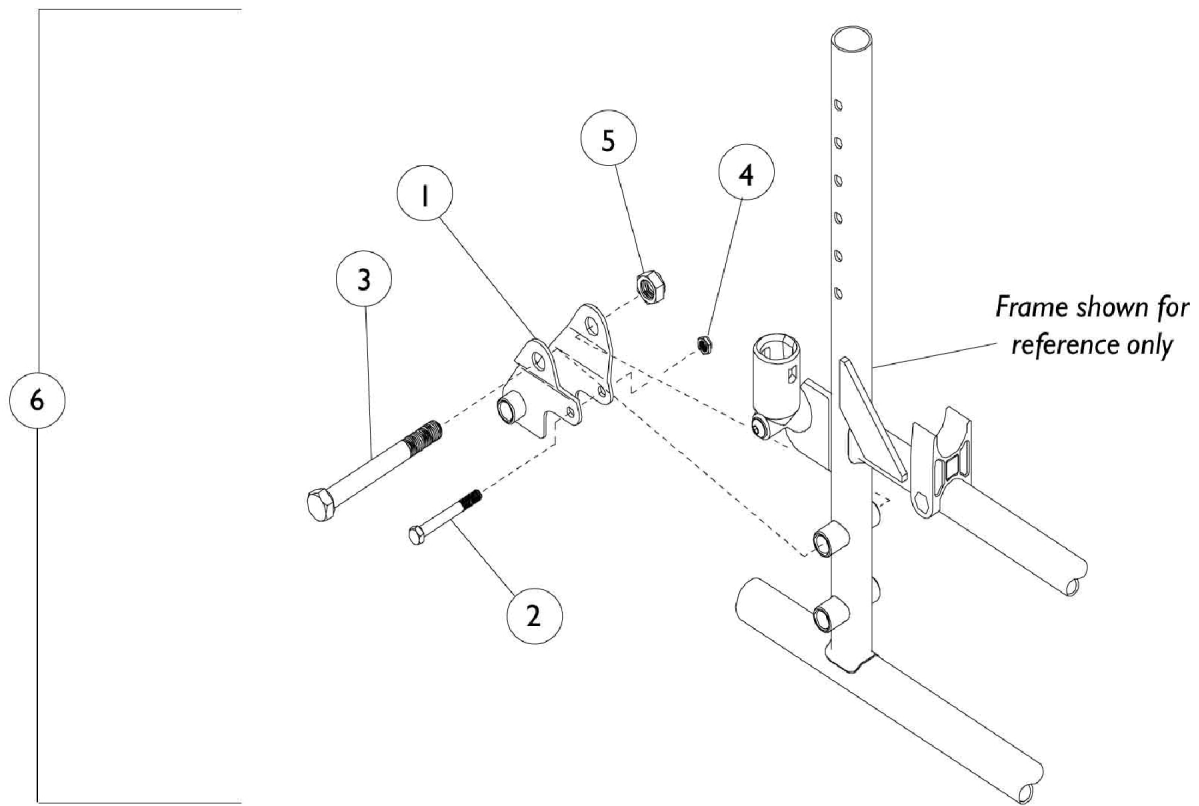


Amputee Attachment and Rear Anti-Tipper

Due to changes in paint finishes, it is recommended that Anti-Tippers be ordered in pairs.



Amputee Attachment and Rear Anti-Tipper

Due to changes in paint finishes, it is recommended that Anti-Tippers be ordered in pairs.

| Item Number | Note | Part Number | Description | Quantity Per | |
|---|------|-------------|--|--------------|----------|
| | | | | Package | Assembly |
| 6 | A | 1182781 | Kit, Amputee Attachment, Black (Pair) | 2 | 1 |
| 1 | | | Bracket, Amputee, Black - Right Adult/ Left Hemi | 1 | 1 |
| 1 | | | Bracket, Amputee, Black - Left Adult/ Right Hemi | 1 | 1 |
| 2 | | | Screw, Hex Head (1/4-20 x 1-1/2") | 1 | 2 |
| 3 | | | NLA - Screw, Hex Head (7/16-20 x 2-1/2") | 1 | 2 |
| 4 | | | Locknut (1/4-20) | 1 | 2 |
| 5 | | | Locknut (7/16-20) | 1 | 2 |
| | | See Chart | Rear Anti-Tipper | 1 | 1 |
| | B | 1058669-NLA | NLA - Instruction Sheet | 1 | 1 |
| NOTE: A - Includes Items 1-5 B - Not Shown | | | | | |

Rear Anti-Tipper

| Part Number | Description | Quantity |
|--|---------------------|----------|
| 1061112 | Anti-Tipper - 1360A | 1 |
| See Note(s) D, A, B | | |
| 1061111 | Anti-Tipper - 1360 | 1 |
| See Note(s) A, C, D | | |
| NOTE: A - Includes Hardware B - For chairs with 6" Fork & Caster C - For chairs with 8" Fork & Caster D - Not SHown | | |