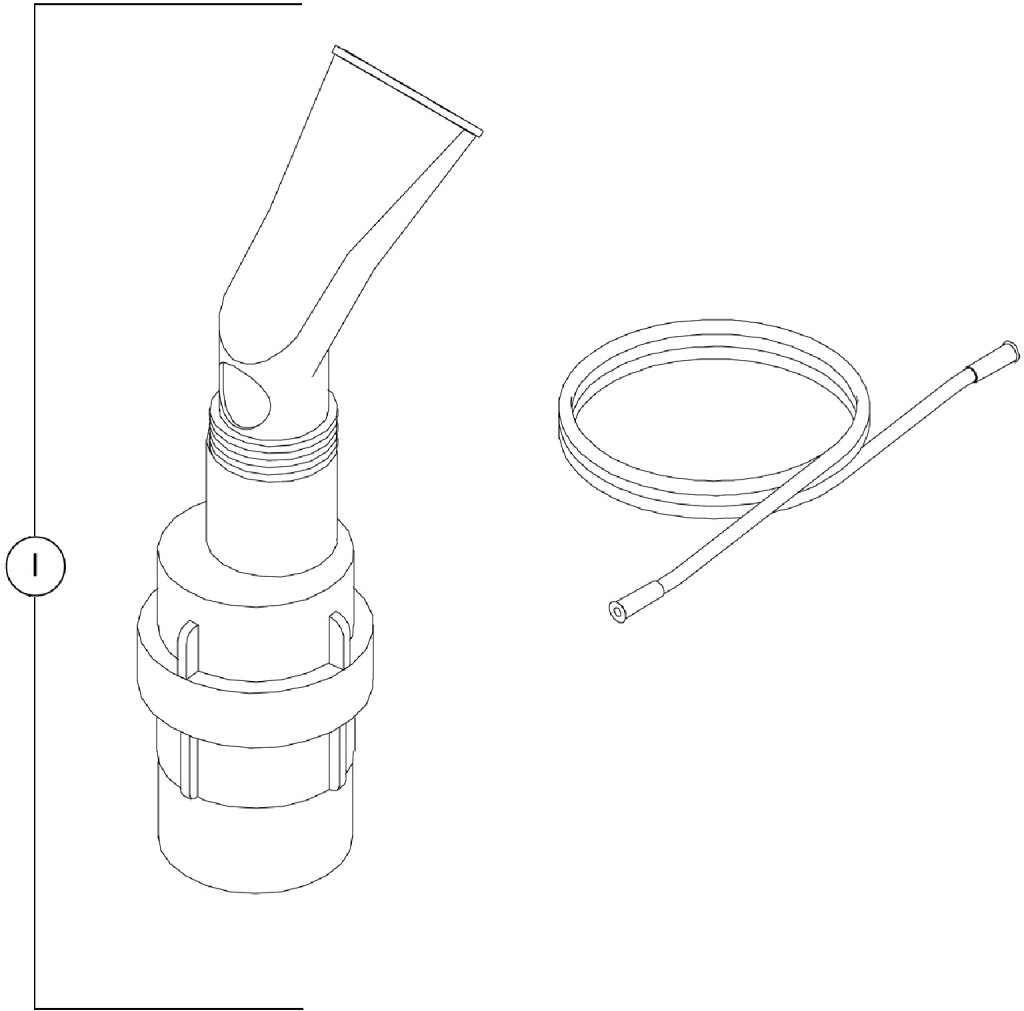


Single Nebulizer - Durable Sidestream Model - MS2400

**Model MS2400
(Case of 10)**



Item Number	Note	Part Number	Description	Quantity Per	
				Package	Assembly
1	A	MS2400-NLA	NLA - Nebulizer, Durable Sidestream	10	1
NOTE: A - Includes Mouth Piece and 7 ft. Tubing.					