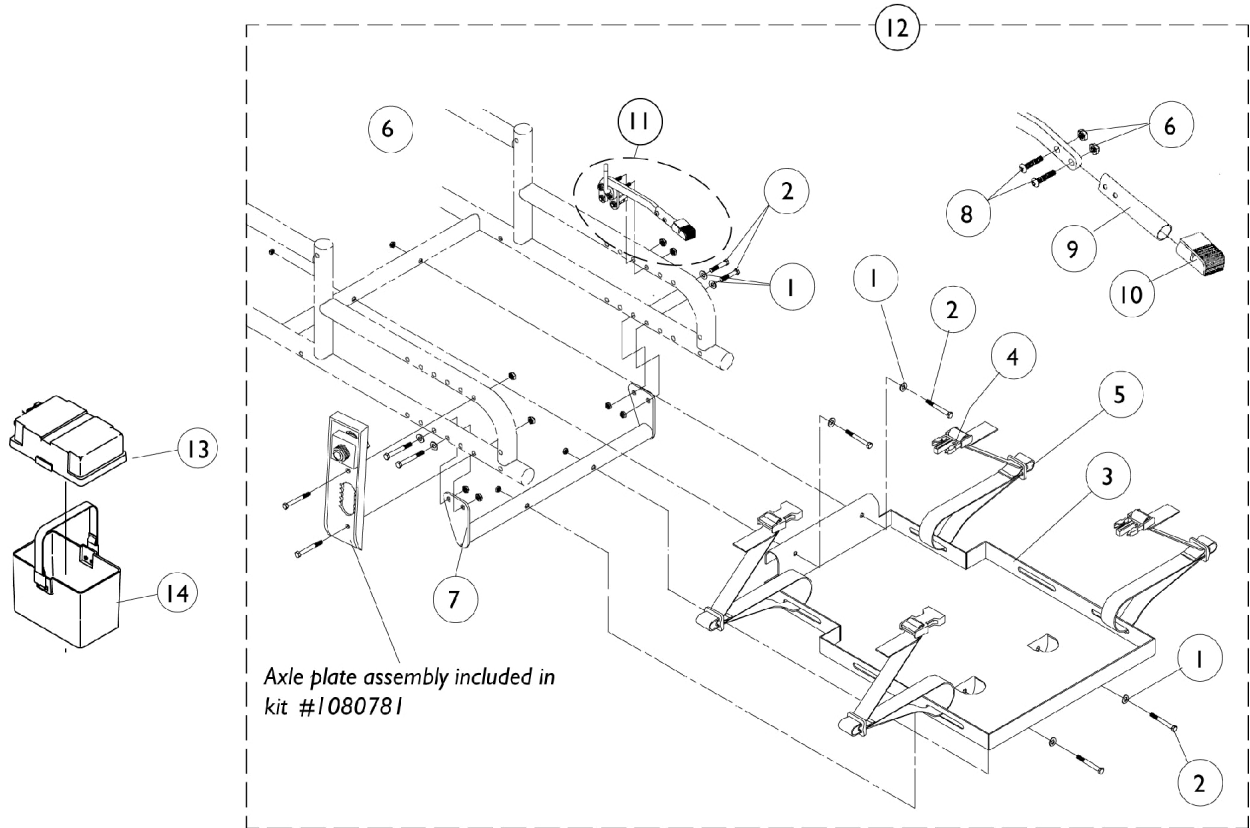


Vent Tray Assembly



Vent Tray Assembly

Item Number	Note	Part Number	Description	Quantity Per	
				Package	Assembly
1		1026907	Washer (1/4 x 1/2 x 1/16")	1	8
2		1055348	Screw, Hex Head (1/4-28 x 1-3/4")	1	8
3		1076841-NLA	NLA - Tray, Vent	1	1
4		1052426-NLA	NLA - Buckle, Slide Release	1	2
5		1052424-NLA	NLA - Strap with Slide Release Buckle (22" Long)	1	2
6		1065362	Locknut (1/4-28)	1	4
7		1078966-NLA	NLA - Crossmember	1	1
8		1055305-NLA	NLA - Screw, Socket Button Head (1/4-28 x 3/4")	1	2
9		1080162-NLA	NLA - Pedal, Foot Extended, Black	1	1
10		1053304-NLA	NLA - Cap, End, Black	1	1
11		1080161-NLA	NLA - Tilt Foot Lever Assembly, Black	1	1
	A,E	1080785-NLA	NLA - Instruction Sheet	1	1
12	B,C	1080782-NLA	NLA - Vent Tray Assembly	1	1
12	B,D	1080781	Vent Tray Assembly	1	1
13		1095747	Top, Battery Box	1	1
14		1057944	Battery Box Bottom with Strap, 22NF	1	1

NOTE: A - Not Shown
 B - Includes Items 1-11 and Instruction Sheet.
 C - Before 7/1/98
 D - After 6/30/98
 E - Item is no longer available from the Invacare Service Parts Department. Refer to the Invacare Website under "Product Literature Search". Enter the part number in the "Keywords" field and download a free PDF version copy.