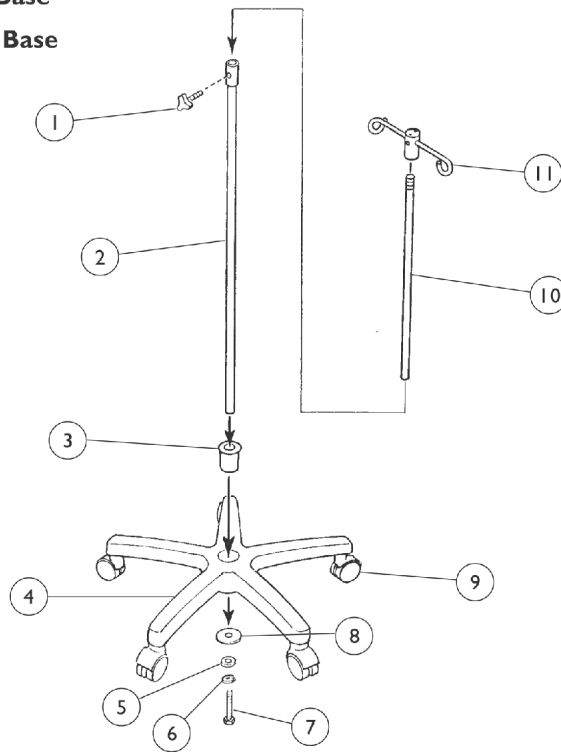


I.V. Stand

Model 6845-5 Aluminum Base

Model 6681-5 Composite Base



Item Number	Note	Part Number	Description	Quantity Per	
				Package	Assembly
1		S6123C-NLA	NLA - Knob, Adjustment Screw	1	1
2		S6123D-NLA	NLA - I.V. Tube, Lower	1	1
3		S6123E-NLA	NLA - Cap, Base	1	1
4		S6123FA-NLA	NLA - Base Only without Casters Aluminum (6845-5)	1	1
4		S6123FP-NLA	NLA - Base Only without Casters Composite (6681-5)	1	1
5		S6123N-NLA	NLA - Washer (13/32 x 1-1/16 x 3/32")	1	1
6		S6123I-NLA	NLA - Washer, Lock (13/32 x 5/8 x 3/32")	1	1
7		S6123J-NLA	NLA - Bolt, Hex Head (3/8-16 x 1-7/16")	1	1
8		S6123H-NLA	NLA - Washer (13/32 x 2-5/16 x 1/8")	1	1
9		S6123GS-NLA	NLA - Caster, Chrome (6845-5)	1	5
9		S6123GB-NLA	NLA - Caster, Black (6681-5)	1	5
10		S6123B-NLA	NLA - I.V. Tube, Upper	1	1
11		S6123A-NLA	NLA - Hanger, I.V.	1	1