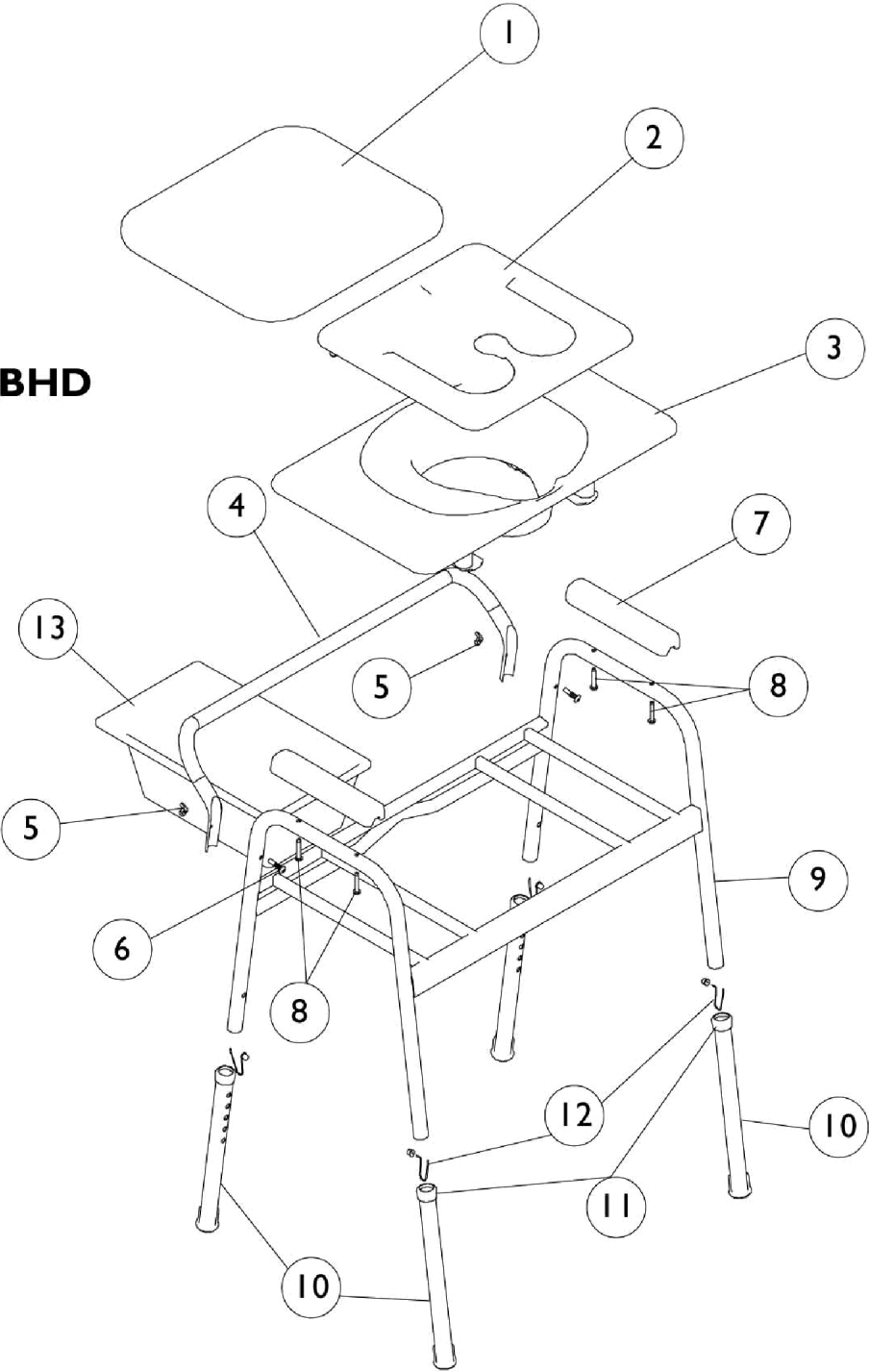


# Bariatric Commode - Model 6499-BHD

Model 6499-BHD



## Bariatric Commode - Model 6499-BHD

Item Number	Note	Part Number	Description	Quantity Per	
				Package	Assembly
1		1031402-NLA	NLA - Upholstery, Seat Cover, Grey	1	1
2		13221X000	Square Lid w/ Hardware	1	1
3		1105644-NLA	NLA - Seat, Commode with Hardware	1	1
4		1105622-NLA	NLA - Tube, Back Support, White	1	1
5		20148X002	Nut, Wing (1/4-20)	1	2
6		18858X000-NLA	NLA - Screw, Phillips Pan Head (1/4-20 x 1-1/2")	1	2
7	B	1059660-NLA	NLA - Armrest, Full Length, Grey	1	2
		1132261-NLA	NLA - Kit, Armrest with Hardware, Full Length - Grey	1	1
			NLA - Armrest, Full Length, Grey	1	2
			NLA - Screw, Phillips Pan Head (1/4 x 1-1/4")	1	4
8		1105642	Screw, Phillips Pan Head (1/4-14 x 1-1/2")	1	4
9		1105615-NLA	NLA - Frame, Commode, Barriatric, White	1	1
10		1105619-NLA	NLA - Leg Extension Assembly	1	4
11		40188X005-NLA	NLA - Spring, Torsion	1	4
12		48806X011-NLA	NLA - Button, Snap	1	4
13		13245X000	Pail, Commode, White	1	1
	A	1107320-NLA	NLA - Decal	1	1

NOTE: A - Not Shown.  
 B - Item no longer available, refer to Kit Part #1132261.