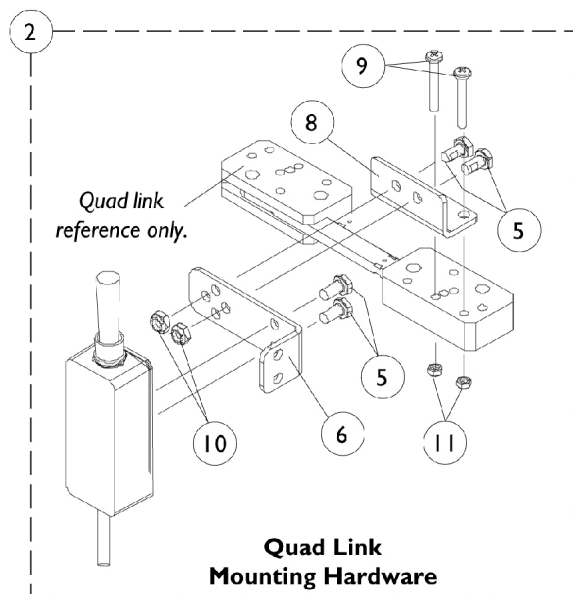
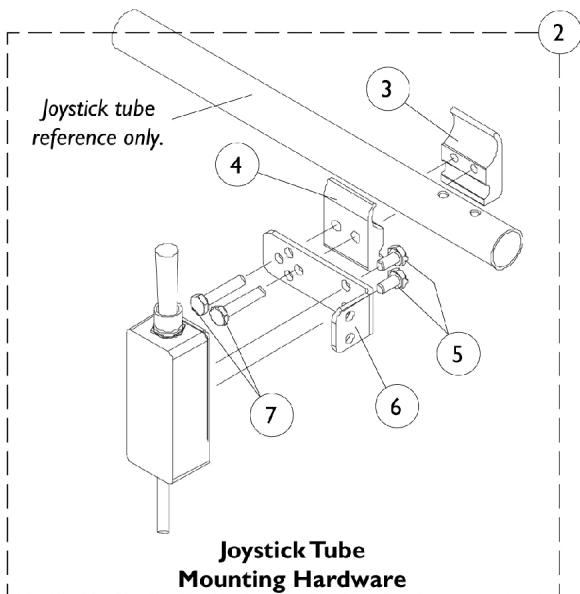
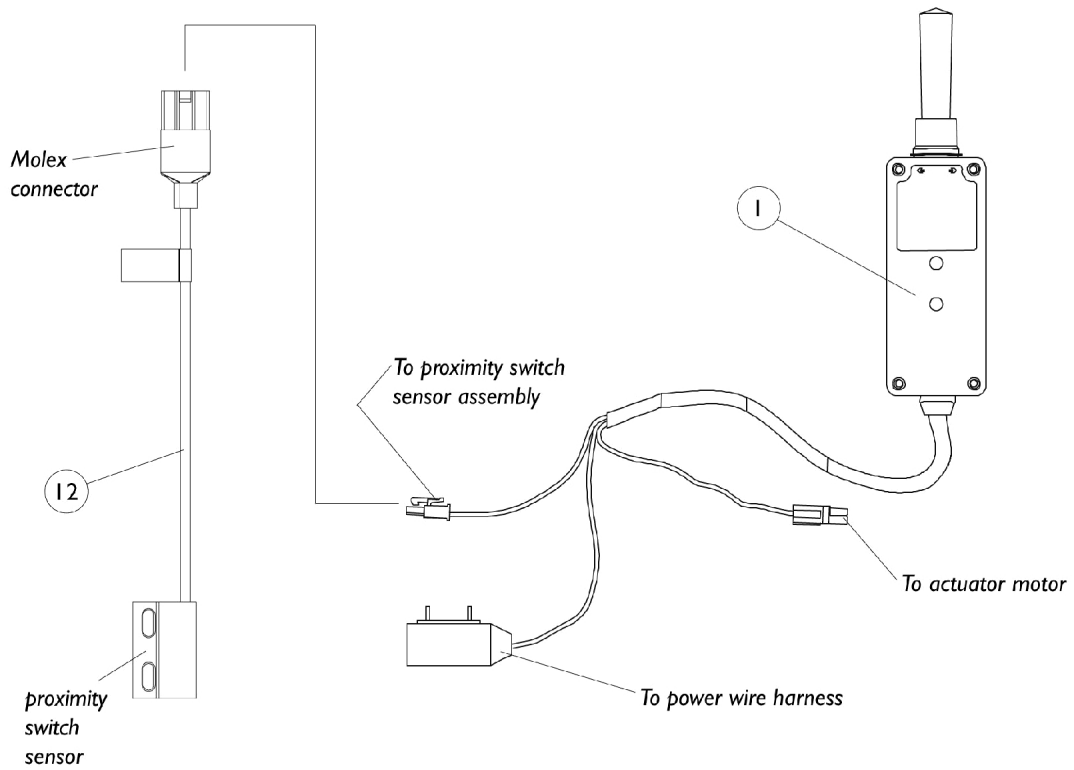


# MKIV Elevating Seat Toggle Switch



## MKIV Elevating Seat Toggle Switch

Item Number	Note	Part Number	Description	Quantity Per	
				Package	Assembly
1		1105700-NLA	NLA - Switch, MKIV Elevating Seat Toggle	1	1
2	A	1091496	Kit, Joystick Tube Toggle Switch Mounting Hardware	1	1
3			NLA - Half Clamp, Threaded Holes	1	1
4			Half Clamp, Non-Threaded Holes	1	1
5			Screw, Hex Head w/ Patch (1/4-20 x 1/2")	1	2
6			NLA - Bracket, Toggle Switch Mounting, Black	1	1
7			NLA - Screw, Hex Head (1/4-20 x 1-1/8")	1	2
2	B	1091497	NLA - Kit, Quad Link Toggle Switch Mounting Hardware	1	1
5			Screw, Hex Head w/ Patch (1/4-20 x 1/2")	1	4
6			NLA - Bracket, Toggle Switch Mounting, Black	1	1
8			NLA - Bracket, Quad Link Toggle Switch Mounting, Black	1	1
9			Screw, Phillips Pan Head (#10-32 x 1-3/8")	1	2
10			Locknut (1/4-20)	1	2
11			Locknut (#10-32)	1	2
12		1105715-NLA	NLA - Sensor, Proximity Switch	1	1
NOTE: A - Includes Items 3-7 B - Includes Items 5, 6 and 8-11					