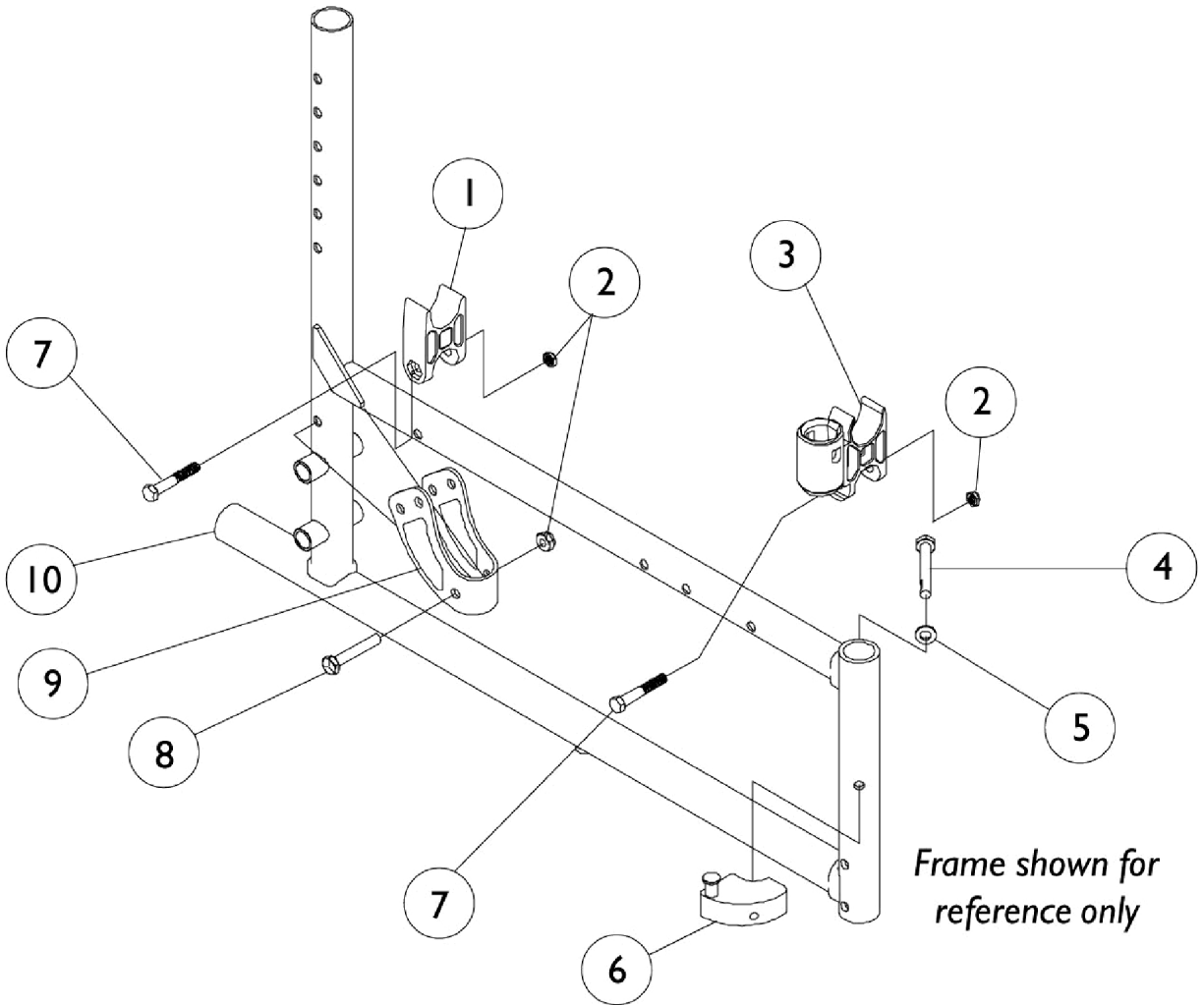


# Frames and Hardware



## Frames and Hardware

Item Number	Note	Part Number	Description	Quantity Per	
				Package	Assembly
1		1056948	Guide, Seat	1	1
2		7930364-NLA	NLA - Package, Locknut (1/4-20)	25	3
3		1056405-NLA	NLA - H-Block with Socket Cup	1	1
4		1052957	Screw, Hex Head w/ Patch (1/4-20 x 2")	1	2
5		1026907	Washer (1/4 x 1/2 x 1/16")	1	1
6	B	1054571	Kit, Sector Block - Right	1	1
6	B	1054572	Kit, Sector Block - Left	1	1
7		7930350-NLA	NLA - Package, Hex Head Screw (1/4-20 x 1-1/2")	25	2
8		1058561-NLA	NLA - Screw, Hex Head (1/4-20 x 1-1/2")	1	1
9		1056110-NLA	NLA - Bracket, Armrest, Chrome	1	1
9		1066261	Bracket, Armrest, Black	1	1
10		1013869	Cap, End, Tube, Black (1")	1	1
	A,C	1056983-NLA	NLA - Kit, Side Frame Hardware (14" D), (Pair)	2	1
			Locknut (1/4-20)	1	8
			H-Block	1	2
			Screw, Hex Head (1/4-20 x 1-1/2")	1	4
			Pin, Hinge	1	4
			Washer, Plain (1/4 x 1/2 x 9/16")	1	4
			NLA - H-Block with Socket Cup	1	2
	C	See Chart	Frames without Hardware	1	1

NOTE: A - Includes: items 1 thru 3 and item 7. (Pair)  
 B - Includes: Items 4 and 5  
 C - Not Shown. Part numbers 1181864 and 1163723 are not used for this model.

### Frames without Hardware

Chair Model	Frame Side	16" Deep	18" Deep
Chrome	Right	1080311-NLA	1080313-NLA
Chrome	Left	1080312-NLA	1080314-NLA
Color	Right	8881080297-NLA See Note(s) A	8881080299-NLA See Note(s) A
Color	Left	8881080298-NLA See Note(s) A	8881080300-NLA See Note(s) A

NOTE: A - Specify frame color, see page titled "Frame Finishes, Upholstery Colors and Packaging".

### Frames without Hardware - Super Low

Chair Model	Frame Side	16" Deep	18" Deep
Color	Right	8881152599-NLA See Note(s) A	8881152601-NLA See Note(s) A
Color	Left	8881152600-NLA See Note(s) A	8881152602-NLA See Note(s) A

NOTE: A - Specify frame color, see page titled "Frame Finishes, Upholstery Colors and Packaging".