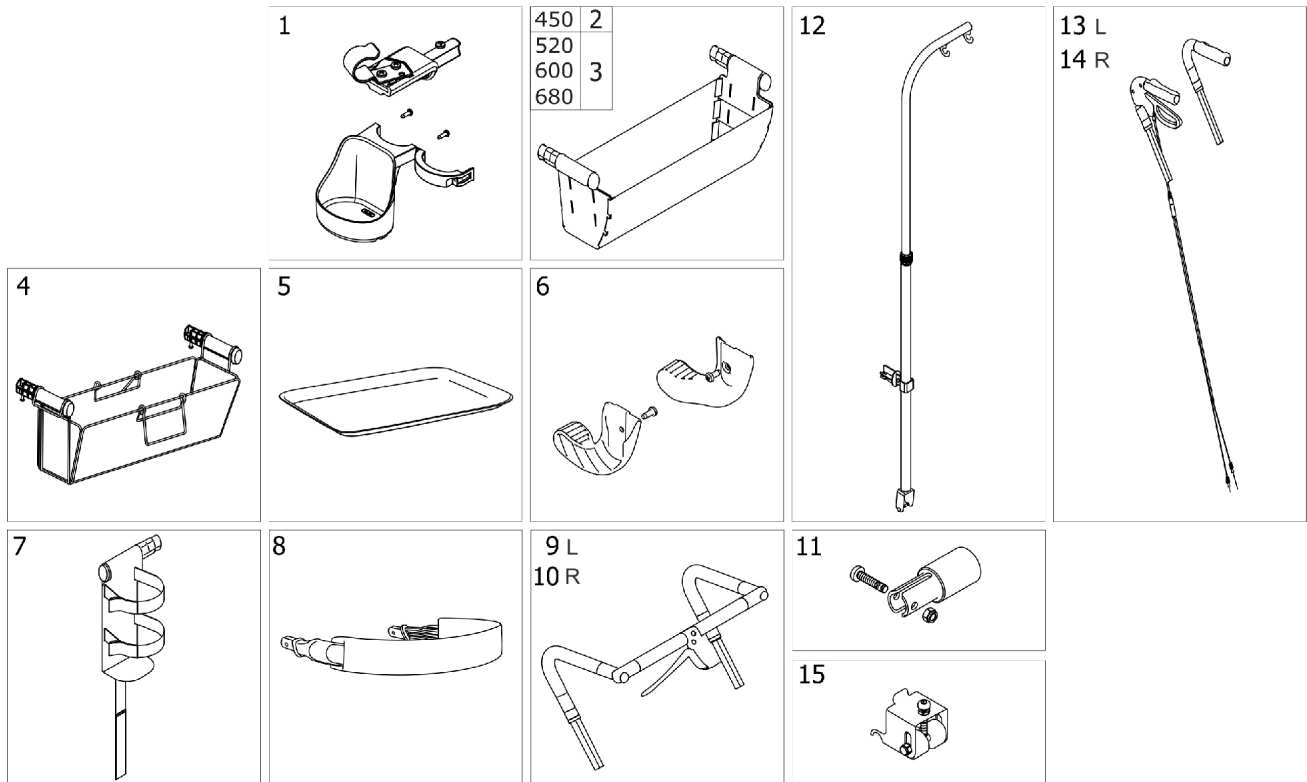


Rollator Dolomite® Gloss Accessories - US



SPC_085B_SPS1653830

Rollator Dolomite® Gloss Accessories - US

Item Number	Note	Part Number	Description	Quantity Per	
				Package	Assembly
1		SP1638442	Cane Holder Assembly Kit	1	--
2		SP1638603	Basket Assembly 450	1	--
3		SP1638448	Basket Assembly 520/600/680	1	--
5		SP1638447	Serving Tray	1	--
6		SP1638765	Curb Climber Assembly	1	--
8		SP1638773	Backrest Assembly Kit	1	--
9		SP1640148	Cross Bar Assembly, Left	1	--
10		SP1640154	Cross Bar Assembly, Right	1	--
11		SP1639933	Brake Booster	1	--
12		SP1638541	IV-Pole Assembly	1	--
13		SP1638772	One Hand Brake Kit, Left	1	--
14		SP1638775	One Hand Brake, Right	1	--
15		SP1638767	Slow Down Brake Assembly Kit	1	--

Item numbers not listed are non-saleable