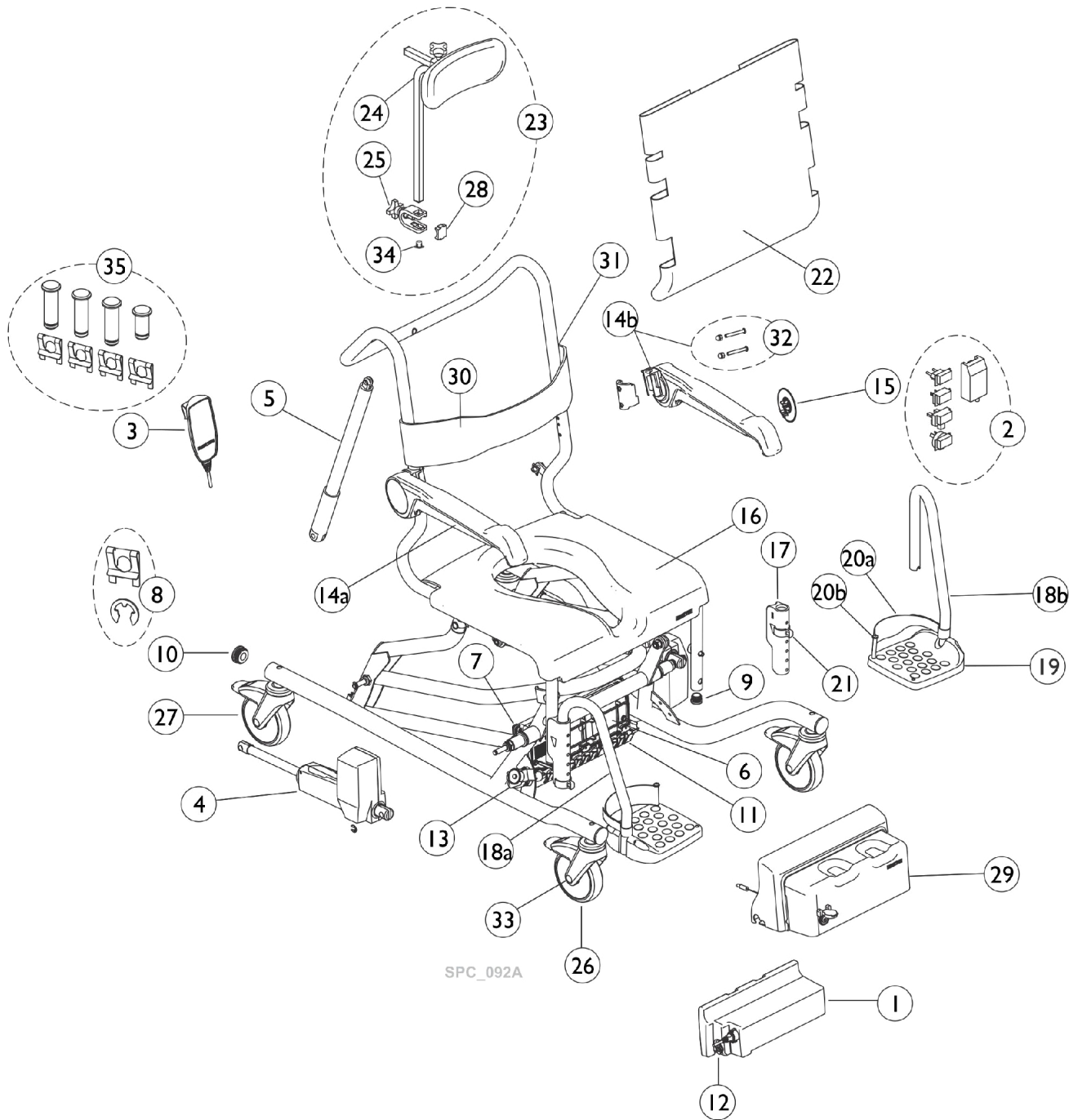


# Ocean E-VIP Commode After 09/30/21



## Ocean E-VIP Commode After 09/30/21

Item Number	Note	Part Number	Description	Quantity Per	
				Package	Assembly
1		1525920	Battery	--	1
2		1471153	Charger	--	1
3		1471154	Hand Control	--	1
4		1471155	Actuator, Height Adjustment	--	2
5		1471156	Actuator, Tilt Adjustment	--	1
6		1471157	Control Box	--	1
7		1471158	Screws, Control Box	--	4
8		1471159	Locking Rings, Actuators	--	8
9		1471160	Plug, Seating Tube	--	2
10		1471161	Plug, Side Tube	--	2
11		1471162	Cable Fixation, Control Box	--	1
12		1471207	Plug, Charging Socket	--	1
13		1471626	Emergency Release	--	1
14a	A	SP1647583	Armrest Assembly 2.0 w/ Hardware, Right	--	1
14b	A	SP1647584	Armrest Assembly 2.0 w/ Hardware, Left	--	1
15		SP1643752	Cover, Armrest 2.0	--	1
		AP1643748	Armrest Pad, 2.0 (1 Pad)	--	2
16		16262	Seat	--	1
17		1470929	Holder, Footrest, Ocean VIP	--	2
18a		16433	Footrest, Complete - Right	--	1
18b		16432	Footrest, Complete - Left	--	1
19		16260	Plates, Footrest	--	2
20a		16334	Heel Loop (Pair)	--	1
20b		SP1607170	Hdwr., heel strap - Ocean (24") Ergo (XL)	--	2
21		16333	Clip, Footrest	--	2
22		1471143	Cover, Backrest	--	1
23		1470790	Headrest, Complete	--	1
24		1470700	Headrest Assembly without Bracket	--	1
25		1470971	Holder, Headrest	--	1
26		16259	Caster, Locking, Red Tab	--	3
27		1470687	Caster, Directional Locking, Blue Tab	--	1
28		1514509	Clamp, Headrest	--	1
29		1525709	Battery Cover	--	1
30		1470081	Chest Belt Padded w/ Stainless Hardware	--	1
31		1522314	Bracket, Fixing, Chest Restraint	--	2
32		SP1647608	Screws (Set) for Armrest 2.0	--	2
33		SP1643854	Cover Cap for 5" Wheel	--	4
34		SP60122636	Plugs, Headrest Tube (10 pcs.)	--	3
35		SP60131921	Bolt and Clips (Set)	--	1

NOTE: A - Armrest 2.0 implementation serial number started with 21JEC070001