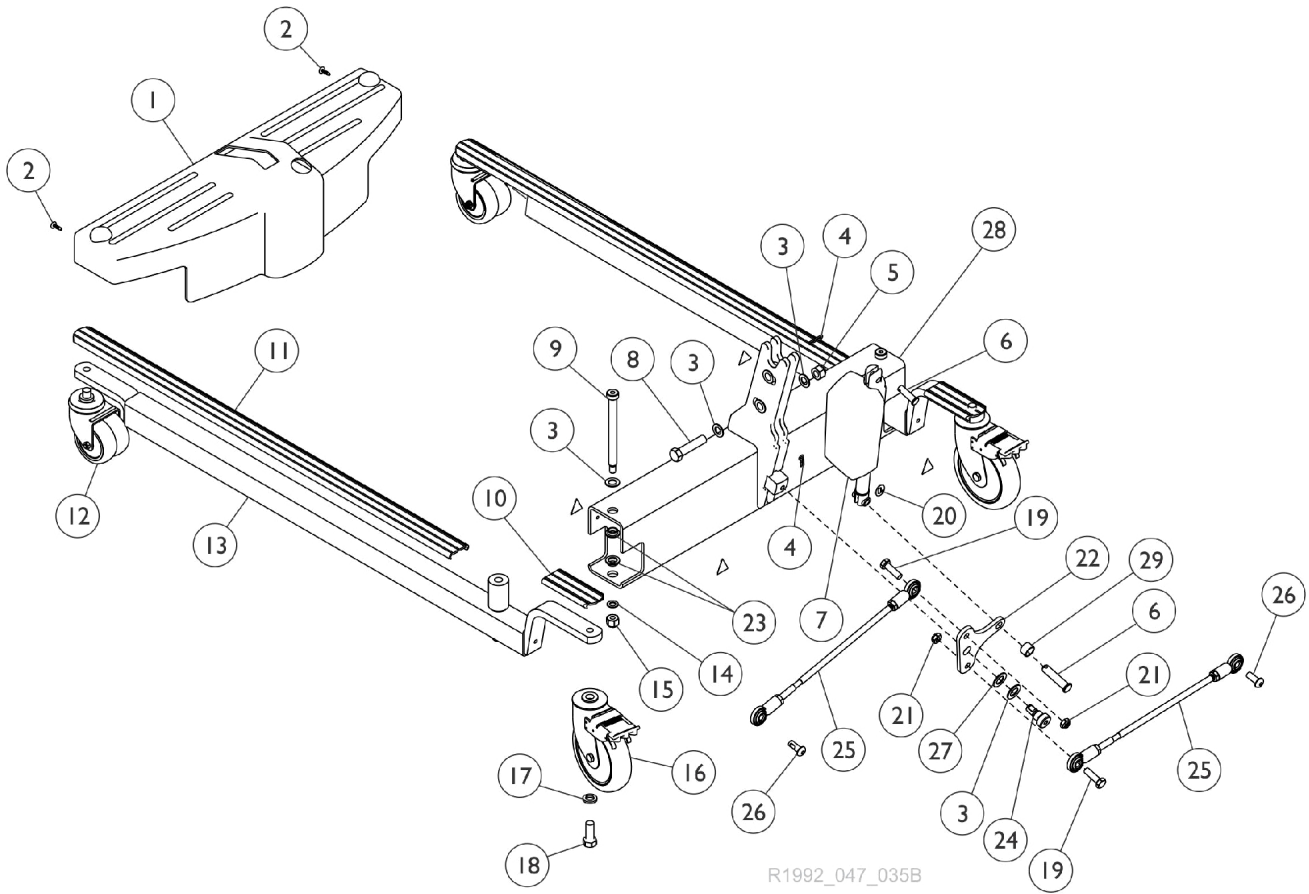


Base Assembly - RPL600-2



R1992_047_035B

Base Assembly - RPL600-2

Item Number	Note	Part Number	Description	Quantity Per	
				Package	Assembly
1		1132017	Shroud	1	1
2		1023632	Clip, Shroud	1	2
3		1026174	Washer (1/2 x 7/8 x 3/64")	1	5
4	G	51000M743	Pin, Hitch (3/8 x 1-3/16")	1	2
5		1078981	Locknut (1/2-13)	1	1
6	F	1142010	Pin, Clevis (10mm x 44mm)	1	2
7		1132028	Actuator Motor	1	1
8		1078979	Screw, Hex Head (1/2-13 x 2-1/4")	1	1
9		1062424	Screw, Shoulder Hex Socket Head (1/2" x 5", 3/8-16)	1	2
10	I	1079137	Cover, Rear Leg (Short) - Low Base/ Standard Base	1	2
11	H	1070114	Cover, Front Leg (Long)	1	2
12	A	1123560	Caster, Swivel Dual (3")	1	2
13		1095672	Leg, Adjustable, Low Base, Grey	1	2
14		1065214	Washer, Flat (3/8 x 11/16 x 1/16")	1	2
15		1065216	Locknut (3/8-16)	1	2
16	C	1123539	Caster Assembly, Swivel w/ Brake (5")	1	2
	D,E	1110421	Kit, Caster Assembly, Swivel w/ Brake (5") (Pair)	1	1
			Caster Assembly, Swivel w/ Brake (5")	1	2
			Bushing (15/32 x 1-1/16 x 9/32")	1	2
			Instruction Sheet	1	1
17		1014371	Lockwasher (1/2")	1	2
18		1073884	Screw, Hex Head (1/2-13 x 1-1/4")	1	2
19		1003548	Screw, Hex Head (5/16-18 x 1")	1	2
20		1079113	Label, Year of Manufacture	1	2
21		1028769	Locknut (5/16-18)	1	2
22		1132026	Bracket, Pivot	1	1
23		1062419	Bushing, Flanged	1	4
24		1086322	Screw, Shoulder Hex Socket Head (1/2 x 3/8", 3/8-16)	1	1
25		1065152	Tie Rod Assembly	1	2
27		1144639	Washer, Nylon (1/2 x 7/8 x 1/16")	1	1
28	B	1132033	Cross Support	1	1
29		1111931	Spacer (1/2 x 5/8 x 3/8")	1	1

NOTE: A - Caster stem is threaded. No additional hardware needed.
 B - As of 7/2/10, when using Item 28 (1132033) to replace 1078300, Items 1169830 and 1156176 should be ordered also.
 C - Item also available as a pair, refer to Kit Part Number 1110421.
 D - Bushings added 7/30/12 and used for 9805/9805P Lifts only to provide clearance for the caster to rotate freely.
 E - Not Shown
 F - 1142010 is now available from The Aftermarket Group (TAG) under part number TAG1142010.
 G - This item is also a component of Actuator Mounting Hardware Kit (1177625)
 H - As of 11/09/21 item 11 part #1070114 Long Leg Cover was replaced w/ item 10 part #1079137 Short Leg Cover.
 I - As of 11/09/21 item 10 is assembled to both Front and Rear of Base Leg Assembly.