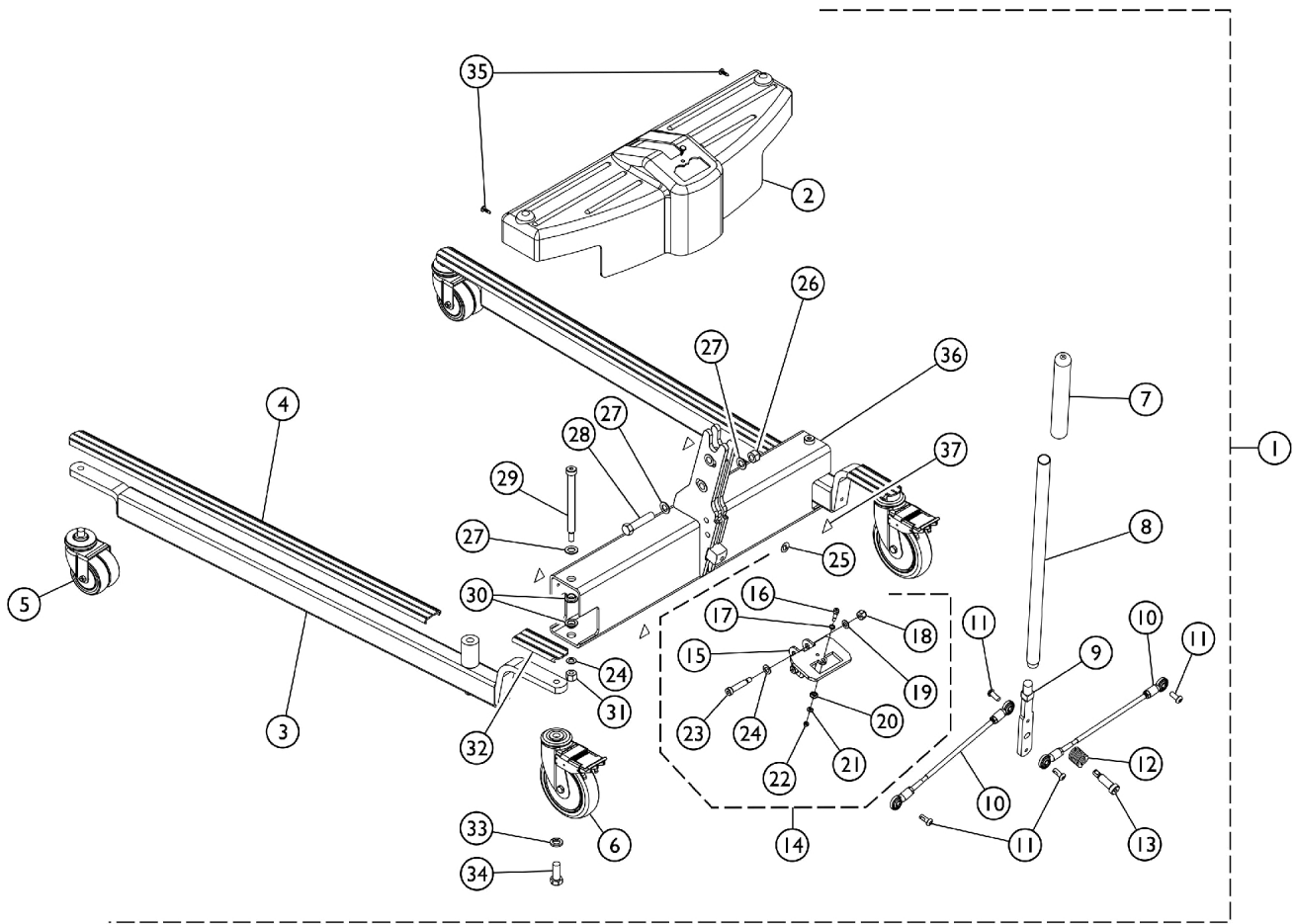


Base Assembly (After 7/1/10)

Model RPL/ RPA 450-1, RHL/ RHA 450-1

NOTE: After 7/1/10, when using Item 36 (1132033) to replace the previous Cross Support (1078300), Items 14 (1169830) and Item 9 (1156176) should be ordered also.



Base Assembly (After 7/1/10)

Model RPL/ RPA 450-1, RHL/ RHA 450-1

NOTE: After 7/1/10, when using Item 36 (1132033) to replace the previous Cross Support (1078300), Items 14 (1169830) and Item 9 (1156176) should be ordered also.

Item Number	Note	Part Number	Description	Quantity Per	
				Package	Assembly
1	A	1079810	Kit, Base - Low, Adjustable	1	1
1	A	1079811-NLA	NLA - Kit, Base - Standard, Adjustable	1	1
2		1156185	Shroud	1	1
3		1095672	Leg, Adjustable, Low Base, Grey	1	2
	B,F	1095674	Kit, Legs Adjustable, Low Base, Pair with Covers	1	1
			Leg, Adjustable, Low Base, Grey	1	2
			Cover, Front Leg (Long)	1	2
			Cover, Rear Leg (Short) - Low Base/ Standard Base	1	2
4	M	1070114	Cover, Front Leg (Long)	1	2
5	E,I	1123560	Caster, Swivel Dual (3")	1	2
5	H	1070957-NLA	NLA - Caster, Swivel, Front - Adjustable Base (5")	1	2
5	C,G	1123545	Caster Assembly, Swivel (5")	1	2
		1110422	Kit, Caster Assembly, Swivel (5") (Pair)	1	1
			Caster Assembly, Swivel (5")	2	1
6	D	1123539	Caster Assembly, Swivel w/ Brake (5")	1	2
	F,L	1110421	Kit, Caster Assembly, Swivel w/ Brake (5") (Pair)	1	1
			Caster Assembly, Swivel w/ Brake (5")	1	2
			Bushing (15/32 x 1-1/16 x 9/32")	1	2
			Instruction Sheet	1	1
7		1032246	Grip, Cane	1	1
8		1078287	Handle, Grey	1	1
9	K	1156176	Handle, Mounting	1	1
10		1065152	Tie Rod Assembly	1	2
11		1155720	Screw, Socket, Button Head w/ Patch (5/16-18 x 13/16")	1	4
12		1064122	Spring, Compression (1 x 1-1/16 x 1/8")	1	1
13		1029134	Screw, Shoulder Hex Socket Head w/ Patch (1/2" x 1-1/4", 3/8-16)	1	1
14	J,K	1169830	Kit, Index Plate w/ Hardware	1	1
15			Bracket, Index Plate	1	1
16			Screw, Shoulder Hex Socket Head (3/8 x 1-1/2", 5/16-18)	1	2
17			Screw, Shoulder, Hex Socket (1/4 x 1/2", 10-32)	1	1
18			Washer, Flat (1/4 x 3/8 x 1/16)	1	1
19			Washer, Flat (5/16 x 5/8 x 1/16")	1	2
20			Locknut (5/16-18)	1	2
21			Roller, Index Plate	1	1
22			Washer, Flat (7/32 x 13/32 x 1/16)	1	1
23			Locknut (#10-32)	1	1
24			Washer, Flat (3/8 x 11/16 x 1/16")	1	2
24		1065214	Washer, Flat (3/8 x 11/16 x 1/16")	1	2
25		1079113	Label, Year of Manufacture	1	1
26		1078981	Locknut (1/2-13)	1	1

Base Assembly (After 7/1/10)

Model RPL/ RPA 450-1, RHL/ RHA 450-1

NOTE: After 7/1/10, when using Item 36 (1132033) to replace the previous Cross Support (1078300), Items 14 (1169830) and Item 9 (1156176) should be ordered also.

Item Number	Note	Part Number	Description	Quantity Per	
				Package	Assembly
27		1026174	Washer (1/2 x 7/8 x 3/64")	1	4
28		1078979	Screw, Hex Head (1/2-13 x 2-1/4")	1	1
29		1062424	Screw, Shoulder Hex Socket Head (1/2" x 5", 3/8-16)	1	2
30		1062419	Bushing, Flanged	1	4
31		1065216	Locknut (3/8-16)	1	2
32	N	1079137	Cover, Rear Leg (Short) - Low Base/ Standard Base	1	2
33		1014371	Lockwasher (1/2")	1	2
34		1073884	Screw, Hex Head (1/2-13 x 1-1/4")	1	2
35		1023632	Clip, Shroud	1	2
36	K	1132033	Cross Support	1	1
37		1079112	Label, Attention	1	4

NOTE: A - Includes items 2 thru 37, Shippers Carton and Owner's Manual.
 B - Includes Adjustable Leg, Front and Rear Leg Covers. As of 11/09/21 part #1095674 is no longer used for RPL450-1 model.
 C - Also available as a pair, see 1110422.
 D - Also available as a pair, see 1110421.
 E - Caster stem is threaded, no additional hardware is necessary.
 F - Not shown in illustration.
 G - 5" Wheels used on RHA/RPA lifts only.
 H - No longer available, see 1123545 to order replacement.
 I - 3" Wheels used on RHL/RPL lifts only.
 J - Includes items 15-24.
 K - After 7/1/10, when using Item 36 (1132033) to replace the previous Cross Support (1078300), Items 14 (1169830) and Item 9 (1156176) should be ordered also.
 L - Bushings added 7/30/12 and used for 9805/9805P Lifts only to provide clearance for the caster to rotate freely.
 M - As of 11/09/21 item 4 part #1070114 Long Leg Cover was replaced w/ item 32 part #1079137 Short Leg Cover on RPL 450-1 model.
 N - As of 11/09/21 item 32 is assembled to both Front and Rear of RPL 450-1 model.