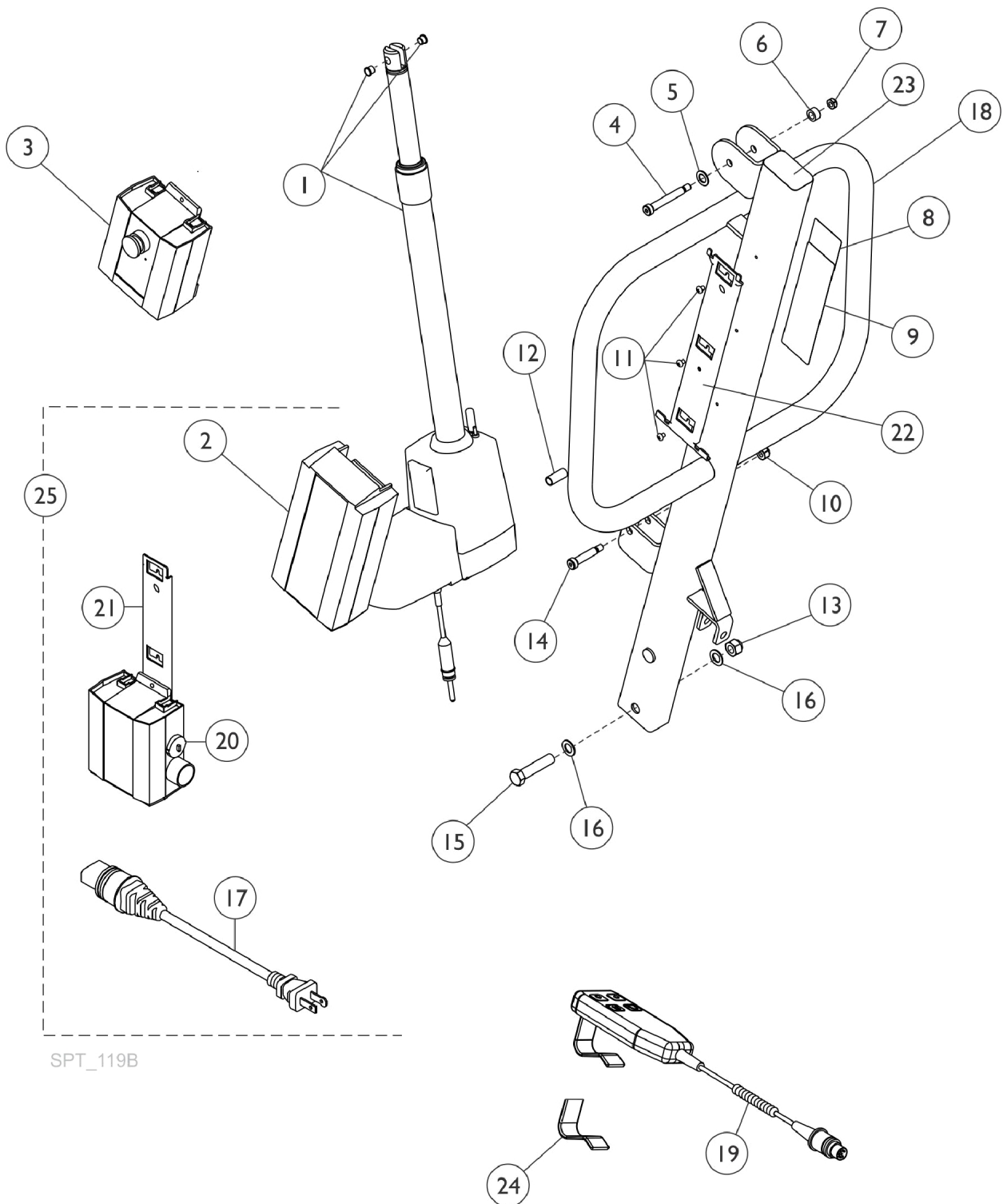


Mast Assembly - RPL450-2



Mast Assembly - RPL450-2

Item Number	Note	Part Number	Description	Quantity Per	
				Package	Assembly
1	E,G	60126449	Actuator Motor w/ Bushings	1	1
2		1078276	Battery Pack, Linak	1	1
3		1132050	Controller, Linak	1	1
4		1129465	Screw, Shoulder Hex Socket Head (3/8 x 2-1/4", 5/16-18)	1	1
5		1065214	Washer, Flat (3/8 x 11/16 x 1/16")	1	1
6		1129466	Spacer (3/8 x 5/8 x 11/32")	1	1
7		1028769	Locknut (5/16-18)	1	1
8		1130200	Label, Warning Bolt Mast	1	1
9		1070965-NLA	NLA - Label, Lift Warning/Operation - USA	1	1
10		1064267	Locknut (5/16-18)	1	1
11		1078980	Screw, Phillips Pan Head (#10-24 x 1/4")	1	3
12		1064443	Bushing (3/8 x 15/32 x 1-3/32")	1	1
13		1078981	Locknut (1/2-13)	1	1
14		1031665	Screw, Shoulder Hex Socket Head (3/8 x 1-1/2", 5/16-18)	1	1
15		1078979	Screw, Hex Head (1/2-13 x 2-1/4")	1	1
16		1026174	Washer (1/2 x 7/8 x 3/64")	1	2
17		1079133	Cord, Power, USA	1	1
18	D	See Note	See Footnote	1	1
19	B,F	1132051	NLA - Pendant, Four Channel w/ Hook	1	1
19	B	1177605	Pendant, Four Channel w/ Hook	1	1
20	H	1078274	Charger, Electric Only w/o Power Cord	1	1
21		1078306	Bracket, Wall Mount Charger	1	1
22		1078284	Bracket, Battery - Electric Only	1	1
23		1065361	Cap, End, Black (1-1/2 x 2-1/2")	1	1
24	B	1161593	Package, Rubber Clip	10	1
	A	10369X000-NLA	NLA - Wrench, Allen (3/16")	1	1
25	C	1079815	Kit, Charger - USA Only	1	1
2			Battery Pack, Linak	1	1
17			Cord, Power, USA	1	1
20			Charger, Electric Only w/o Power Cord	1	1
21			Bracket, Wall Mount Charger	1	1

NOTE: A - Not Shown.
 B - 1161593 should slip over Clip on Handset to provide stable positioning for Handset.
 C - Includes items 2, 17, 20 and 21.
 D - Mast is no longer serviceable.
 E - As of 3/19/2010, the pull pin changed to a pull grip.
 F - No Longer Available. See part #1177605 as a replacement.
 G - Part #1078273 Actuator Motor is No Longer Available and replaced with part #60126449 Actuator Motor that now includes press-fitted Bushings.
 H - Power Cord not included with Charger.